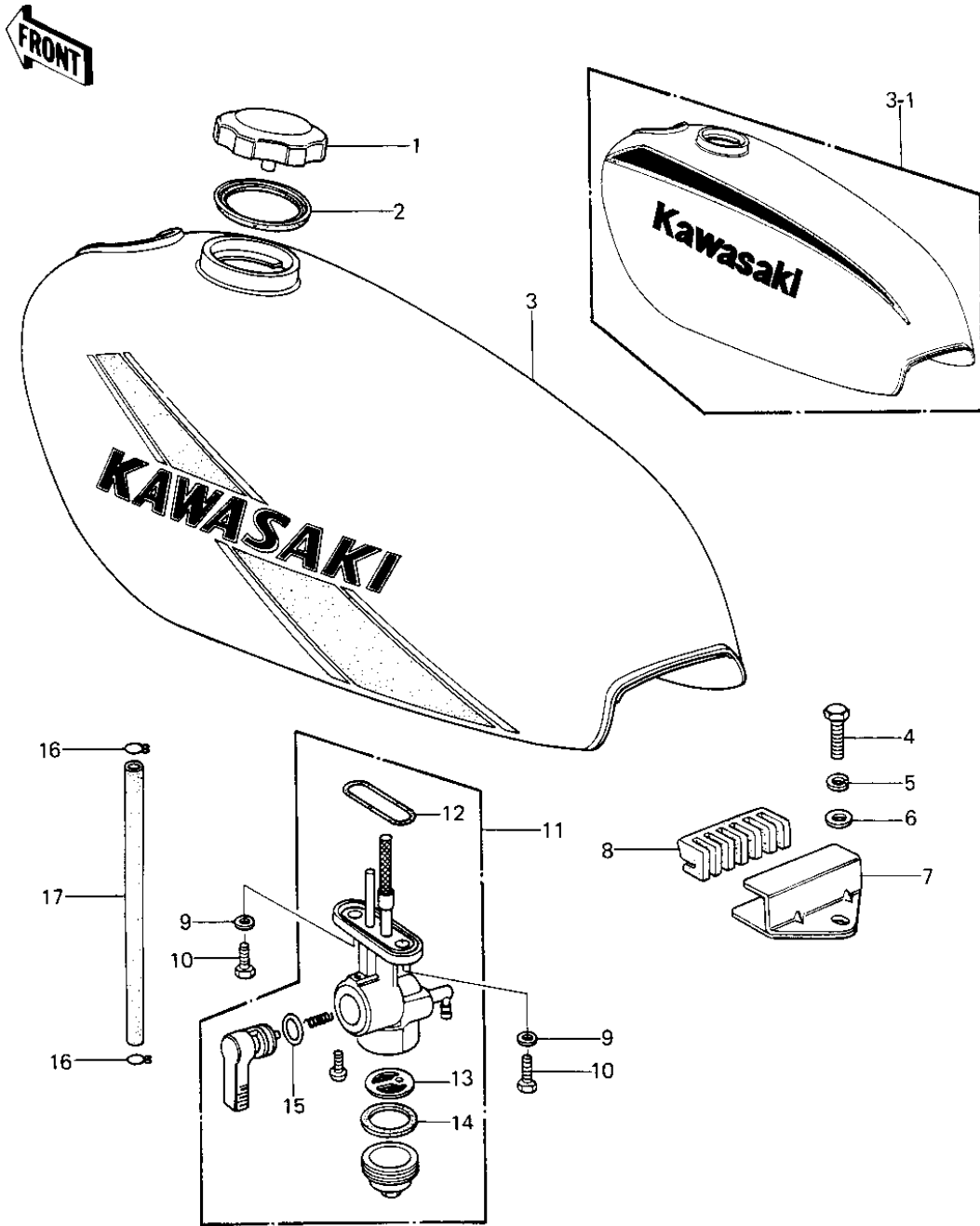


1977 KE250-B1 PARTS DIAGRAM

FUEL TANK



1977 KE250-B1 PARTS LIST

FUEL TANK

ITEM NAME	PART NUMBER	QUANTITY
CAP,FUEL TANK (Ref # 1)	51048-1013	1
GASKET,FUEL TANK CAP (Ref # 2)	51059-011	1
TANK-FUEL,C.E.GREEN (Ref # 3)	51001-113-4U	1
TANK-FUEL,F.RED (Ref # 3-1)	51001-113-B1	1
BOLT,8X20 (Ref # 4)	115G0820	1
WASHER SPRING 8MM (Ref # 5)	461F0800	1
WASHER PLAIN 8MM (Ref # 6)	411B0800	1
BRACKET,FUEL TANK (Ref # 7)	32052-085	1
DAMPER RUBBER,FUEL TK (Ref # 8)	92075-292	1
WASHER-PLAIN (Ref # 9)	92022-183	2
BOLT-HEX HEAD,6X16 (Ref # 10)	92001-114	2
TAP ASSY,FUEL (Ref # 11)	51023-1001	1
"O" RING (Ref # 12)	51039-003	1
STRAINER,FUEL (Ref # 13)	51038-008	1
GASKET FUEL COCK CUP (Ref # 14)	51037-011	1
"O" RING, 10MM (Ref # 15)	670B2010	1
CLAMP FUEL PIPE (Ref # 16)	92037-010	2
PIPE FUEL TANK CONECT (Ref # 17)	51047-001	1