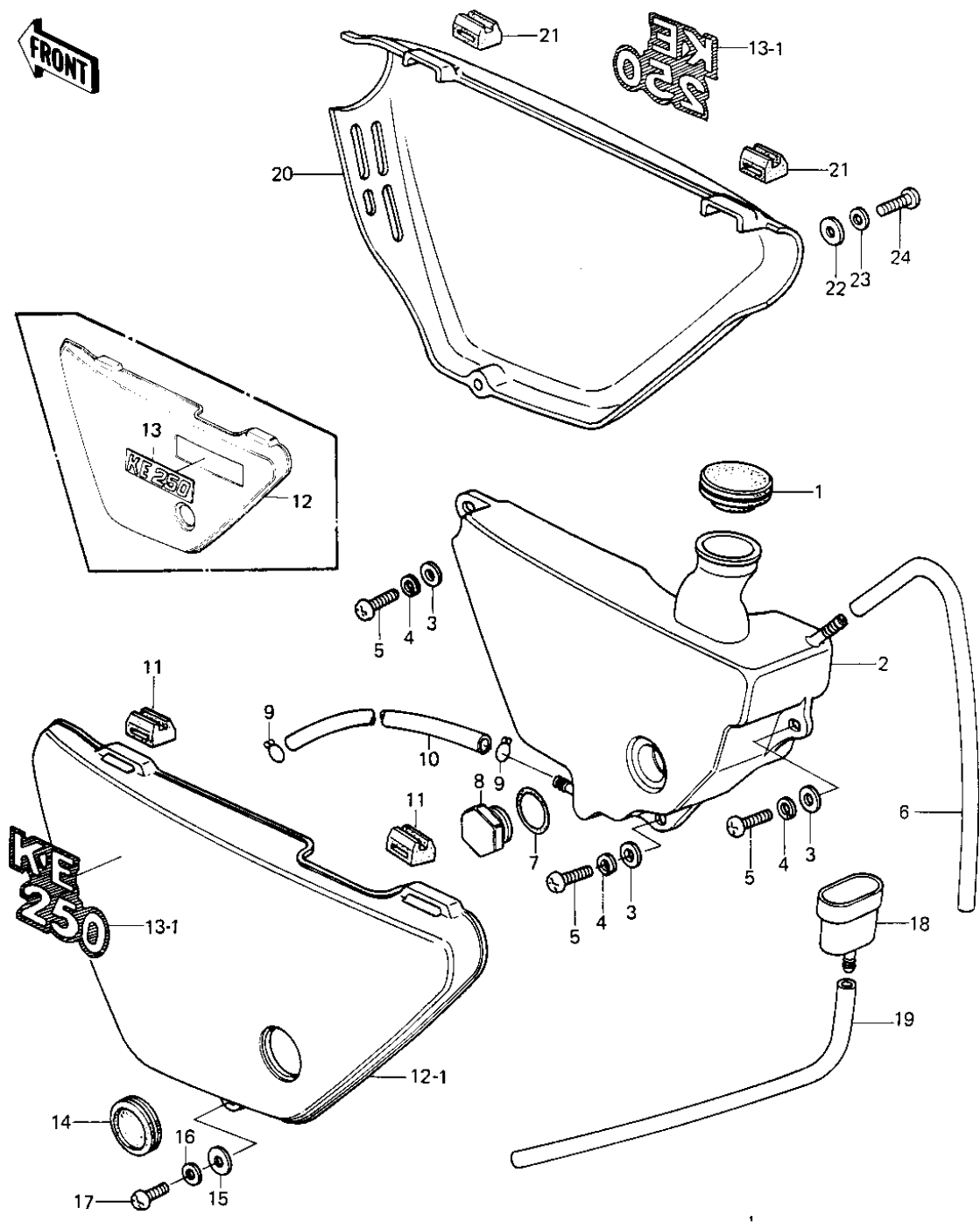


1978 KE250-B2 PARTS DIAGRAM

SIDE COVERS/OIL TANK



1978 KE250-B2 PARTS LIST

SIDE COVERS/OIL TANK

ITEM NAME	PART NUMBER	QUANTITY
CAP-OIL TANK (Ref # 1)	51049-1004	
TANK,OIL (Ref # 2)	52001-048	
TANK,OIL (Ref # 2)	52001-1004	
WASHER 6.5X20X1.6T (Ref # 3)	92022-125	
WASHER SPRING 6MM (Ref # 4)	461F0600	
SCREW PAN HEAD 6X16 (Ref # 5)	220B0616	
TUBE-VINYL,5X600 (Ref # 6)	700Q05600	
"O" RING,20MM (Ref # 7)	92055-051	
GUAGE-OIL LEVEL (Ref # 8)	52015-002	
CLAMP FUEL PIPE (Ref # 9)	92037-010	
TUBE,VINYL,9X470 (Ref # 10)	92059-117	
DAMPER,SIDE COVER (Ref # 11)	92075-313	
COVER,L.H.SIDE,GREEN (Ref # 12)	36001-056-4U	
COVER,L.H,SIDE,F.RED (Ref # 12-1)	36001-1063-6L	
EMBLEM,SIDE COVER (Ref # 13)	56018-226	
MARK,SIDE COVER (Ref # 13-1)	56018-1034	
GROMMET,L.H SIDE COV (Ref # 14)	92071-080	
DAMPER RUBBER,SIDE CV (Ref # 15)	92075-251	
WASHER PLAIN (Ref # 16)	92022-024	
SCREW PAN HEAD 6X20 (Ref # 17)	220E0620	
CONNECTOR PIPE (Ref # 18)	92059-101	
TUBE-VINYL 7X480 (Ref # 19)	700Q07480	
COVER,R.H,SIDE,F.RED (Ref # 20)	36001-1064-6L	
DAMPER,SIDE COVER (Ref # 21)	92075-313	
DAMPER RUBBER,SIDE CV (Ref # 22)	92075-251	
WASHER PLAIN (Ref # 23)	92022-024	
SCREW PAN HEAD 6X20 (Ref # 24)	220E0620	