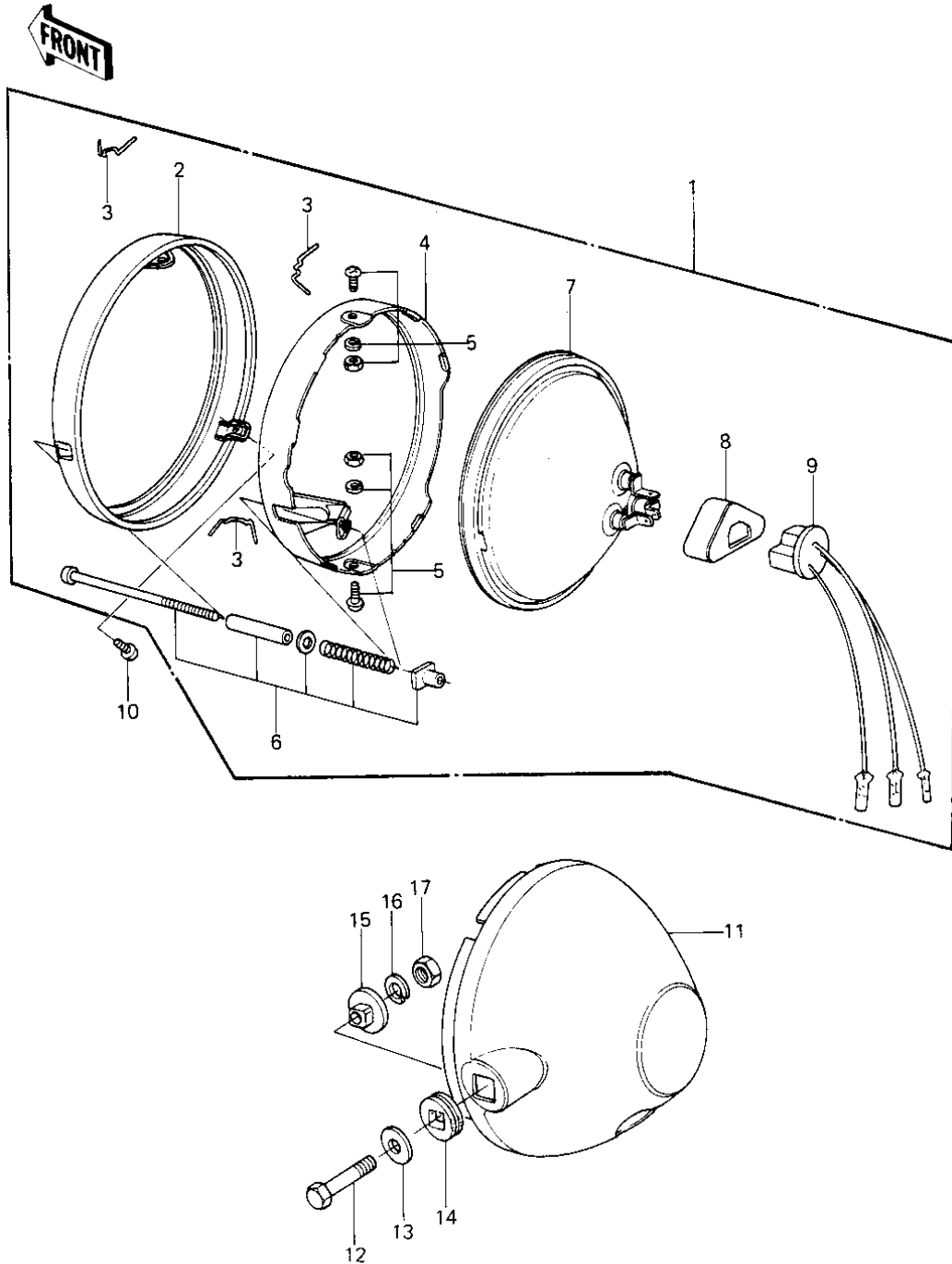


1978 KE250-B2 PARTS DIAGRAM

HEADLIGHT



1978 KE250-B2 PARTS LIST

HEADLIGHT

| ITEM NAME | PART NUMBER | QUANTITY |
|---------------------------------|--------------|----------|
| LIGHT UNIT,HEAD (Ref # 1) | 23003-026 | |
| RIM,HEAD LAMP (Ref # 2) | 23006-042 | |
| CLAMP,HEAD LAMP LENS (Ref # 3) | 23009-015 | |
| RETAINER,SEALED BEAM (Ref # 4) | 23072-002 | |
| SCREW SET,LENS UNIT (Ref # 5) | 23013-007 | |
| SCREW ASSY,FOCUS AJST (Ref # 6) | 23013-5001 | |
| SEALED BEAM UNIT (Ref # 7) | 23007-073 | |
| COVER,HD LAMP SOCKET (Ref # 8) | 23081-001 | |
| SOCKET ASSY,HD LIGHT (Ref # 9) | 23008-044 | |
| SCREW,PAN HEAD,5X14 (Ref # 10) | 23019-025 | |
| BODY,HEAD LAMP,BLACK (Ref # 11) | 23005-049-21 | |
| BOLT,HEX HEAD,10X30 (Ref # 12) | 92007-041 | |
| WASHER-PLAIN,10MM (Ref # 13) | 411D1000 | |
| DAMPER RUBBER (Ref # 14) | 23066-011 | |
| COLLAR (Ref # 15) | 23052-005 | |
| WASHER SPRING 10MM (Ref # 16) | 461F1000 | |
| NUT,10MM (Ref # 17) | 314B1000 | |