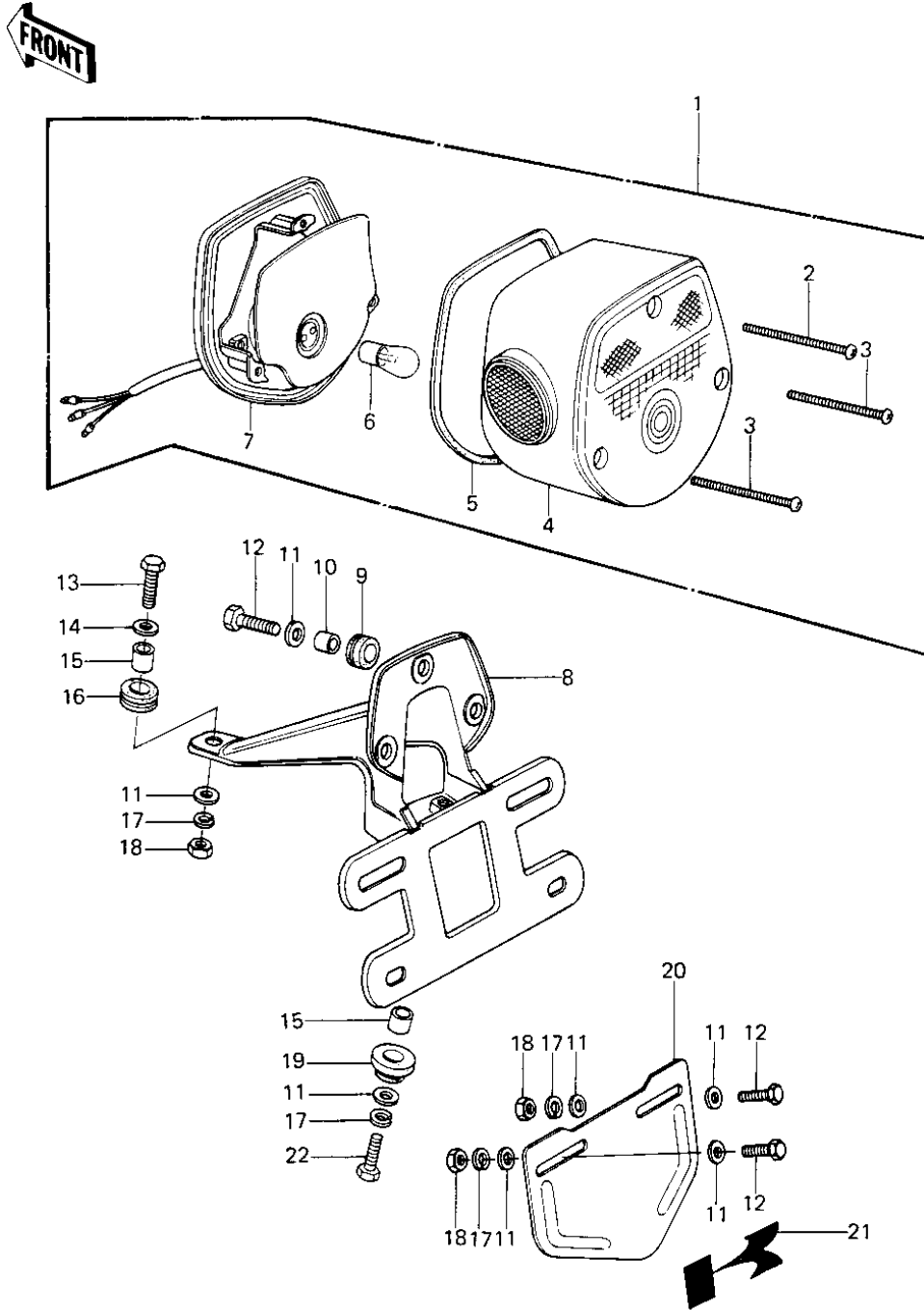


# 1979 KE250-B3 PARTS DIAGRAM

## TAILLIGHT



# 1979 KE250-B3 PARTS LIST

## TAILLIGHT

ITEM NAME	PART NUMBER	QUANTITY
TAIL LAMP UNIT (Ref # 1)	23025-1030	
SCREW (Ref # 2)	220R0455	
SCREW PAN HEAD 4X50 (Ref # 3)	220E0450	
LENS,TAIL LAMP (Ref # 4)	23026-028	
GASKET,TAIL LAMP LENS (Ref # 5)	23028-019	
BULB,60-32/3CP (Ref # 6)	92069-074	
CASE,TAIL LAMP (Ref # 7)	23027-037	
BRACKET,LICENSE PLATE (Ref # 8)	23036-056	
DAMPER RUBBER (Ref # 9)	92075-076	
COLLAR,6.8X10X8.5 (Ref # 10)	92027-129	
WASHER 6.5X20X1.6T (Ref # 11)	92022-125	
BOLT-UPSET,6X20 (Ref # 12)	112G0620	
BOLT-UPSET,6X20 (Ref # 13)	110B0628	
WASHER,PLAIN,6MM (Ref # 14)	92022-286	
COLLAR (Ref # 15)	92027-241	
DAMPER RUBBER,RR FENR (Ref # 16)	92075-209	
WASHER SPRING 6MM (Ref # 17)	461F0600	
NUT 6MM (Ref # 18)	311B0600	
DAMPER RUBBER (Ref # 19)	92075-112	
BRACKET,LICENSE PLATE (Ref # 20)	11034-1117	
BRACKET,LICENSE PLATE (Ref # 20)	11034-1117	
EMBLEM,LICNSE PLT BKT (Ref # 21)	56018-176	
BOLT-UPSET (Ref # 22)	112G0625	