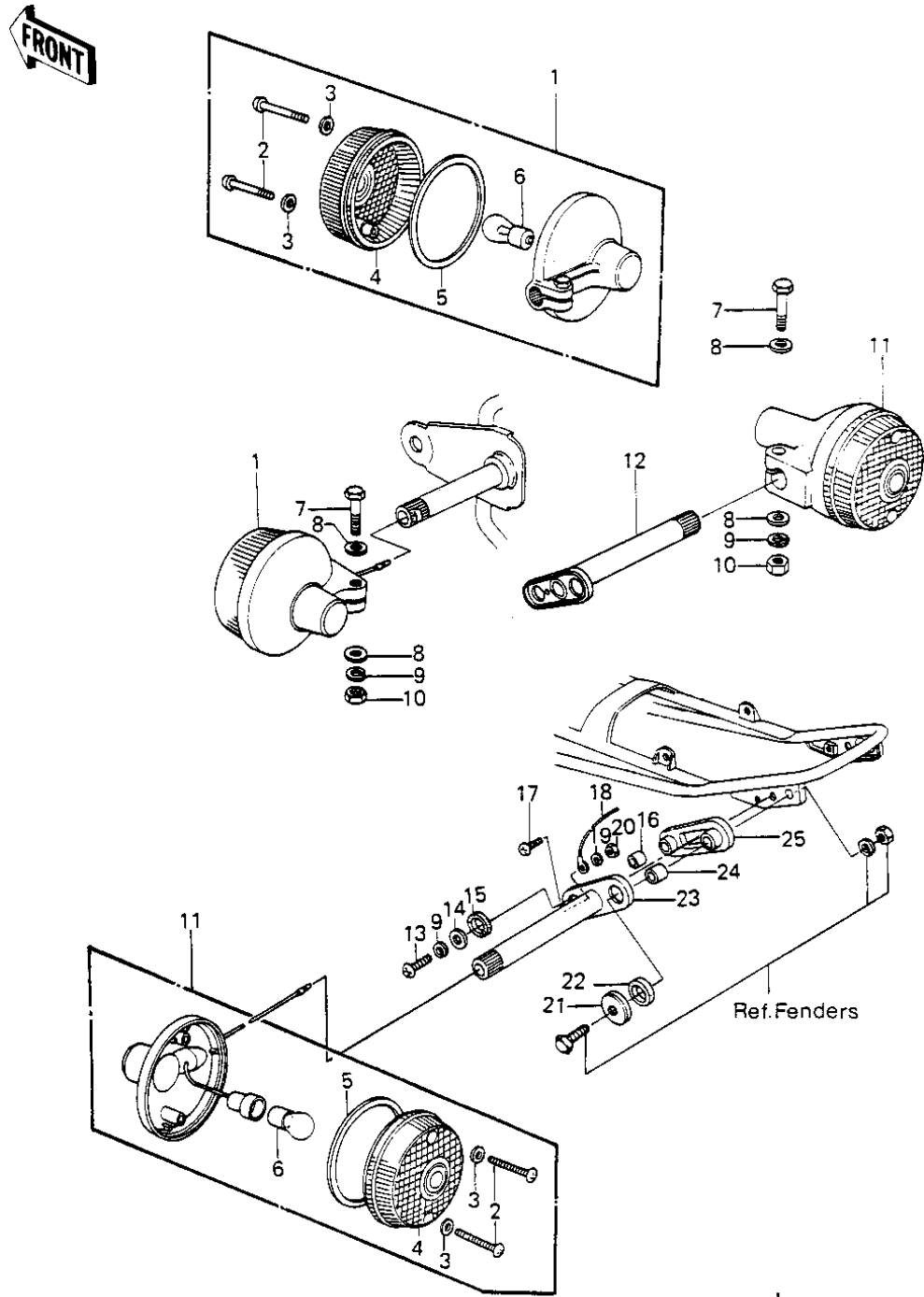


# 1979 KE250-B3 PARTS DIAGRAM

## TURN SIGNALS



## 1979 KE250-B3 PARTS LIST

### TURN SIGNALS

ITEM NAME	PART NUMBER	QUANTITY
LAMP ASSY,TURN SIGNAL (Ref # 1)	23040-038	
SCREW-PAN HEAD,4X20 (Ref # 2)	220E0420A	
WASHER-PLAIN,4MM (Ref # 3)	23058-002	
LENS,TURN SIGNAL LAMP (Ref # 3)	23048-1001	
GASKET-SIG LAMP LENS (Ref # 5)	23050-003	
BULB,6V 21CP (Ref # 6)	92069-056	
BOLT-UPSET (Ref # 7)	112G0630	
WASHER PLAIN 6MM (Ref # 8)	411B0600	
WASHER SPRING 6MM (Ref # 9)	461F0600	
NUT 6MM (Ref # 10)	311B0600	
LAMP-REAR TURN SIGNAL (Ref # 11)	23040-033	
BRACKET,REAR SIG,R.H (Ref # 12)	23051-055	
SCREW PAN HEAD 6X25 (Ref # 13)	220B0625	
WASHER,PLAIN,6MM (Ref # 14)	92022-286	
DAMPER RUBBER,SIGNAL (Ref # 15)	92075-310	
COLLAR (Ref # 16)	92027-241	
SCREW PAN HEAD 3X8 (Ref # 17)	220B0308	
WIRE,LEAD,TURN SIGNAL (Ref # 18)	26011-066	
WASHER SPRING 3MM (Ref # 19)	461F0300	
NUT-HEX (Ref # 20)	311B0300	
CAP,REAR TURN SIGNAL (Ref # 21)	92102-018	
DAMPER RUBBER,SIGNAL (Ref # 22)	92075-309	
BRACKET,REAR SIG,L.H (Ref # 23)	23051-056	
COLLAR,8.4X12X12 (Ref # 24)	92027-286	
DAMPER RUBBER,SIGNAL (Ref # 25)	92075-308	