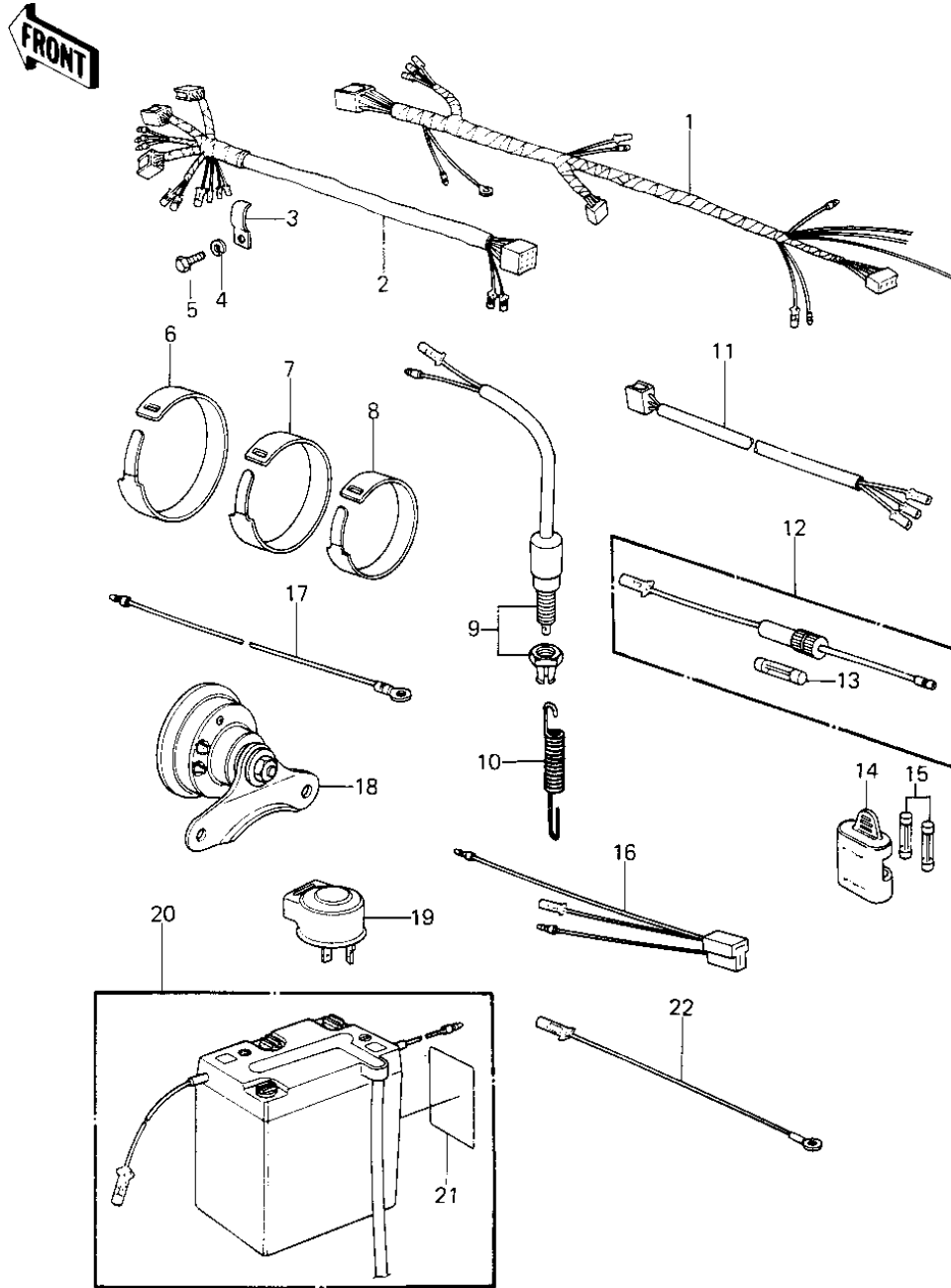


# 1978 KE250-B2 PARTS DIAGRAM

## CHASSIS ELECTRICAL EQUIPMENT



# 1978 KE250-B2 PARTS LIST

## CHASSIS ELECTRICAL EQUIPMENT

ITEM NAME	PART NUMBER	QUANTITY
WIRING HARNESS,MAIN (Ref # 1)	26001-141	
WIRING HARNESS,HEAD (Ref # 2)	26002-061	
CLAMP-WIRE HARNESS (Ref # 3)	92037-086	
WASHER SPRING 6MM (Ref # 4)	461F0600	
BOLT-UPSET,6X12 (Ref # 5)	112G0612	
BAND,LONG (Ref # 6)	92072-032	
BAND,MIDDLE (Ref # 7)	92072-031	
BAND,SHORT (Ref # 8)	92072-030	
SWITCH,BRAKE LIGHT (Ref # 9)	27010-025	
SPRING BRAKE LAMP SW (Ref # 10)	27011-006	
WIRING HARNESS,TAIL L (Ref # 11)	26001-1007	
FUSE ASSY (Ref # 12)	26004-025	
FUSE 15A (Ref # 13)	26006-007	
HOLDER-SPARE FUSE (Ref # 14)	26016-004	
FUSE 15A (Ref # 15)	26006-007	
WIRE,RECTIFIER LEAD (Ref # 16)	26011-072	
WIRE,GROUND (Ref # 17)	26011-082	
HORN (Ref # 18)	27003-083	
RELAY-TURN SIGNAL (Ref # 19)	27002-013	
YUA BAT 6N6-1D-2 (Ref # 20)	K26012-034	
LABEL-WARNING,BATTERY (Ref # 21)	56040-1036	
WIRE,LEAD,BATTERY GRO (Ref # 22)	26011-1009	