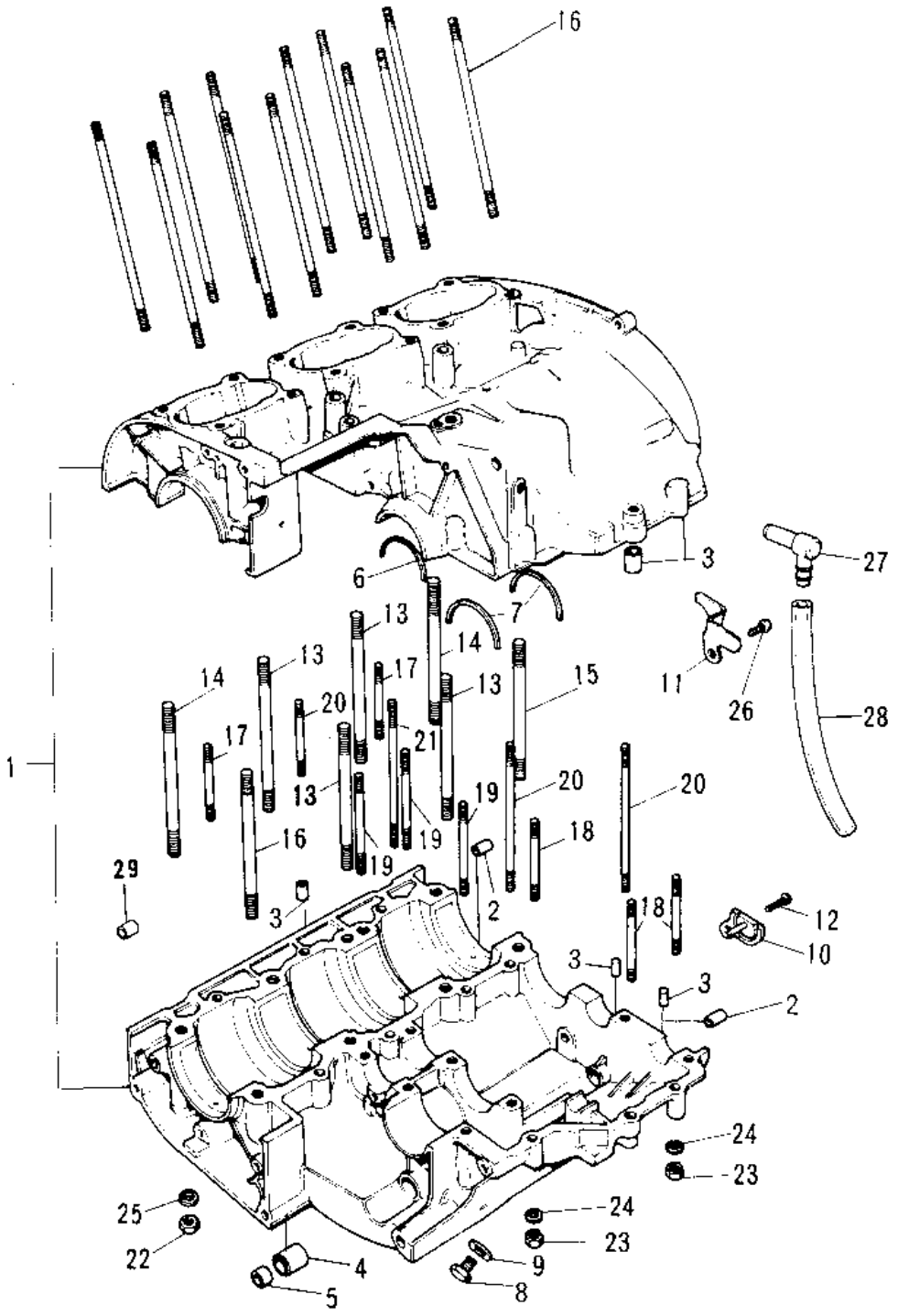


# 1974 Mach I PARTS DIAGRAM

CRANKCASE



# 1974 Mach I PARTS LIST

## CRANKCASE

ITEM NAME	PART NUMBER	QUANTITY
CRANKCASE SET (Ref # 1)	14001-049	
CRANKCASE SET (Ref # 1)	14001-058	
PIN,DOWEL,10X8.2X14 (Ref # 2)	92043-1037	
PIN DOWEL 6MM (Ref # 3)	92042-016	
BUSH CHANGE PEDAL SHT (Ref # 4)	92028-071	
OIL SEAL SB12205 (Ref # 5)	92049-004	
RING-BEARING SET (Ref # 6)	14013-013	
RING BEARING SETTING (Ref # 7)	14013-004	
PLUG OIL DRAIN (Ref # 8)	92067-001	
GASKET CHECK VALVE (Ref # 9)	92065-058	
RECEIVER OIL (Ref # 10)	14015-001	
RECEIVER-OIL (Ref # 11)	14015-003	
SCREW CNTSNK HD 6X16 (Ref # 12)	221B0616	
STUD 10X50 (Ref # 13)	172G1050	
STUD,10X55 (Ref # 13)	172G1055	
STUD,10X70 (Ref # 14)	172G1070	
STUD,10X80 (Ref # 15)	172G1080	
STUD 8X115 (Ref # 16)	172G08115	
STUD 6X22 (Ref # 17)	172G0622	
STUD 6X35 (Ref # 18)	172G0635	
STUD 6X50 (Ref # 19)	172G0650	
STUD 6X50 (Ref # 20)	172G0650	
STUD,6X65 (Ref # 21)	172G0665	
NUT,10MM (Ref # 22)	317B1000	
NUT 6MM (Ref # 23)	311B0600	
WASHER SPRING 6MM (Ref # 24)	461F0600	
WASHER SPRING 10MM (Ref # 25)	461F1000	
SCREW PAN HEAD 6X10 (Ref # 26)	220B0610	
BREATHER (Ref # 27)	14069-003	

# 1974 Mach I PARTS LIST

## CRANKCASE

ITEM NAME	PART NUMBER	QUANTITY
PIPE-BREATHER (Ref # 28)	92059-061	
PIN-DOWEL (Ref # 29)	92042-007	