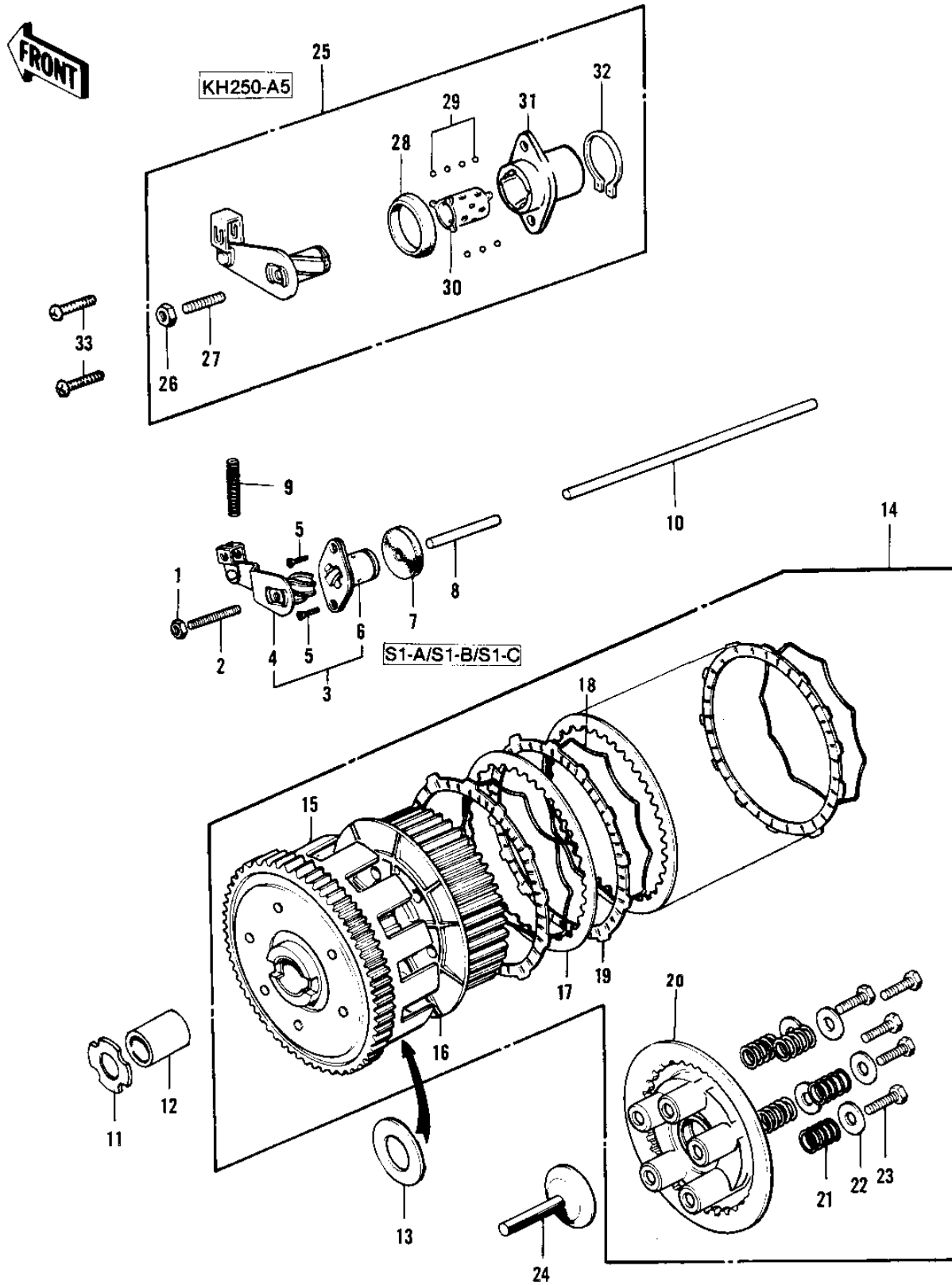


1973 Mach I PARTS DIAGRAM

CLUTCH



1973 Mach I PARTS LIST

CLUTCH

ITEM NAME	PART NUMBER	QUANTITY
NUT 6MM (Ref # 1)	311B0600	1
SCREW SLOTTED (Ref # 2)	291Z0622	1
SCREW SLOTTED (Ref # 2)	291Z0625	AL
RELEASE ASSY,CLUTCH (Ref # 3)	13231-010	1
RELEASE ASSY,CLUTCH (Ref # 4)	13231-010	NA
INNER,CLUTCH RELEASE (Ref # 4)	13102-017	1
SCREW CNTSNK HD 6X16 (Ref # 5)	221B0616	2
RELEASE ASSY,CLUTCH (Ref # 6)	13231-010	NA
OUTER,CLUTCH RELEASE (Ref # 6)	13118-008	1
OIL SEAL TC7297 (Ref # 7)	92050-040	1
ROD CLUTCH PUSH SHORT (Ref # 8)	13116-010	1
SPRING-CLUTCH RELEASE (Ref # 9)	92081-096	1
ROD-CLUTCH PUSH,LONG (Ref # 10)	13116-019	1
WASHER THRUST (Ref # 11)	92022-119	1
BUSH CLUTCH (Ref # 12)	92028-045	1
WASHER-PLAIN,20MM (Ref # 13)	92022-189	1
CLUTCH-ASSY (Ref # 14)	13081-1022	NA
CLUTCH-ASSY (Ref # 14)	13081-1022	1
HOUSING-CLUTCH (Ref # 15)	13095-032	1
HUB,CLUTCH (Ref # 16)	13087-033	1
PLATE CLUTCH STEEL (Ref # 17)	13089-003	5
RING-CLUTCH STEEL (Ref # 18)	13229-002	6
PLATE-FRICTION (Ref # 19)	13088-1015	6
PLATE-CLUTCH SPRING (Ref # 20)	13187-004	1
SPRING-CLUTCH (Ref # 21)	92081-080	5
WASHER-PLAIN,5MM (Ref # 22)	92022-167	5
BOLT,5X18 (Ref # 23)	92003-078	5
PUSHER-CLTCH SPRG PLT (Ref # 24)	13116-016	1
RELEASE ASSY,CLUTCH (Ref # 25)	13231-1001	1

1973 Mach I PARTS LIST

CLUTCH

ITEM NAME	PART NUMBER	QUANTITY
NUT 6MM (Ref # 26)	311B0600	1
SCREW SLOTTED (Ref # 27)	291Z0625	1
OIL SEAL (Ref # 28)	92056-007	1
BALL,STEEL,1/8" (Ref # 29)	600A0400	11
RETAINER (Ref # 30)	13197-006	1
OUTER,CLUTCH RELEASE (Ref # 31)	13118-015	1
CIRCLIP 15MM (Ref # 32)	480J1500	1
SCREW PAN HEAD 6X16 (Ref # 33)	220B0616	2