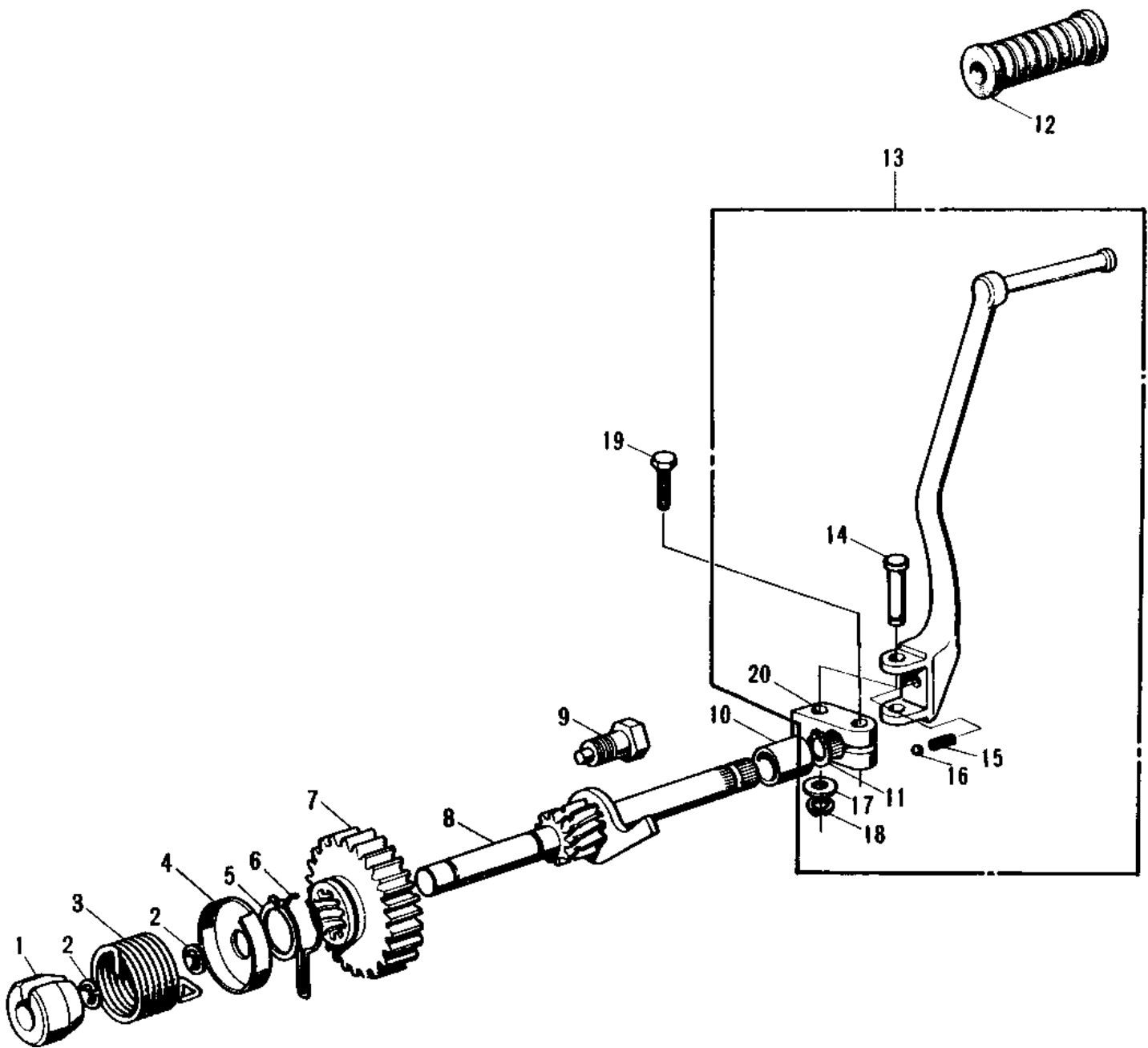


# 1975 Mach I PARTS DIAGRAM

## KICKSTARTER MECHANISM



# 1975 Mach I PARTS LIST

## KICKSTARTER MECHANISM

ITEM NAME	PART NUMBER	QUANTITY
GUIDE KICK SPRING (Ref # 1)	13070-001	
CIRCLIP 10MM (Ref # 2)	482J0100	
SPRING KICKSTARTER (Ref # 3)	92081-021	
PLATE KICK GEAR HLDER (Ref # 4)	13071-003	
CIRCLIP 26MM (Ref # 5)	480J2600	
HOLDER KICK GEAR (Ref # 6)	13077-002	
GEAR-KICKSTARTER (Ref # 7)	13068-024	
SHAFT,KICKSTARTER (Ref # 8)	13245-008	
STOPPER KICKSTARTER (Ref # 9)	13072-006	
BUSH (Ref # 10)	92028-072	
CIRCLIP 16MM (Ref # 11)	480J1600	
RUBBER KICK PEDAL (Ref # 12)	13063-004	
PEDAL-KICKSTARTER (Ref # 13)	13058-038	
PIN-KICKSTARTER PEDAL (Ref # 14)	92043-068	
SPRING KICK PEDAL (Ref # 15)	92081-020	
BALL STEEL 1/4' (Ref # 16)	600A0800	
WASHER PLAIN 10MM (Ref # 17)	410B1000	
CIRCLIP 8MM (Ref # 18)	482J8000	
BOLT-KICK PEDAL (Ref # 19)	92001-101	
BOSS-KICK PEDAL (Ref # 20)	13061-015	