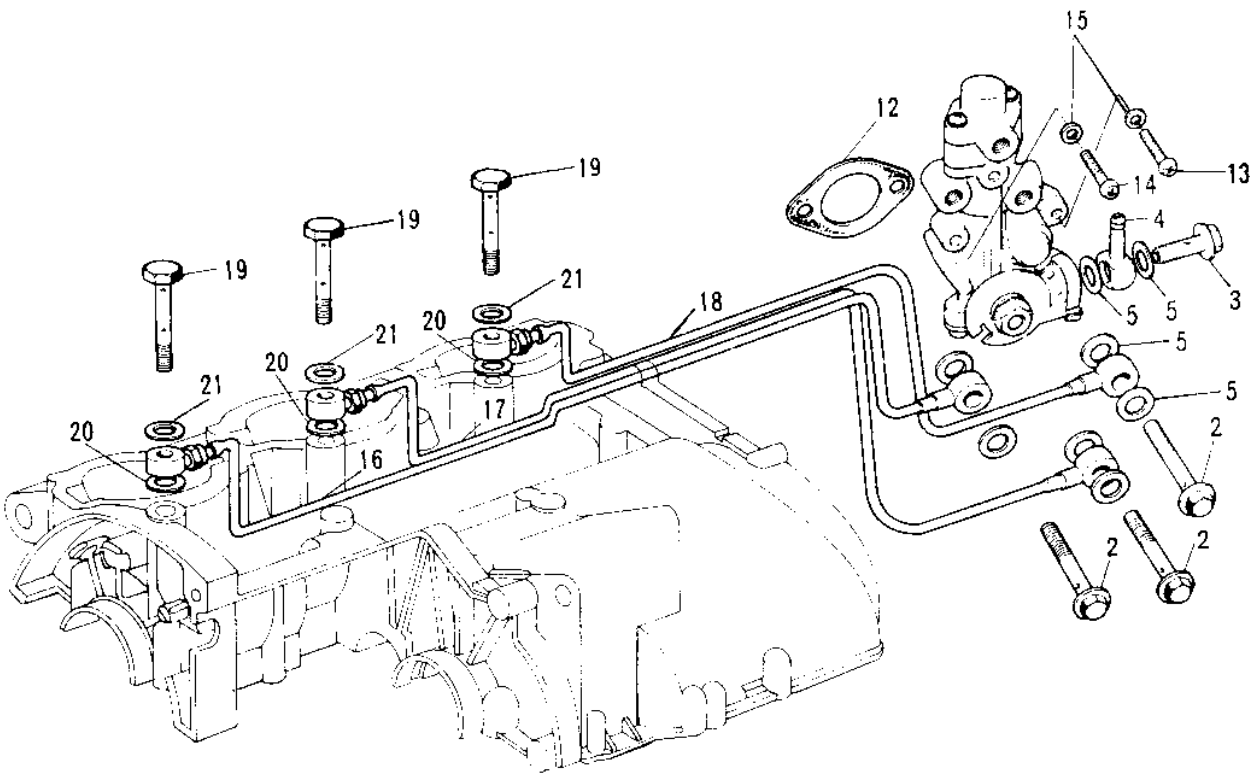
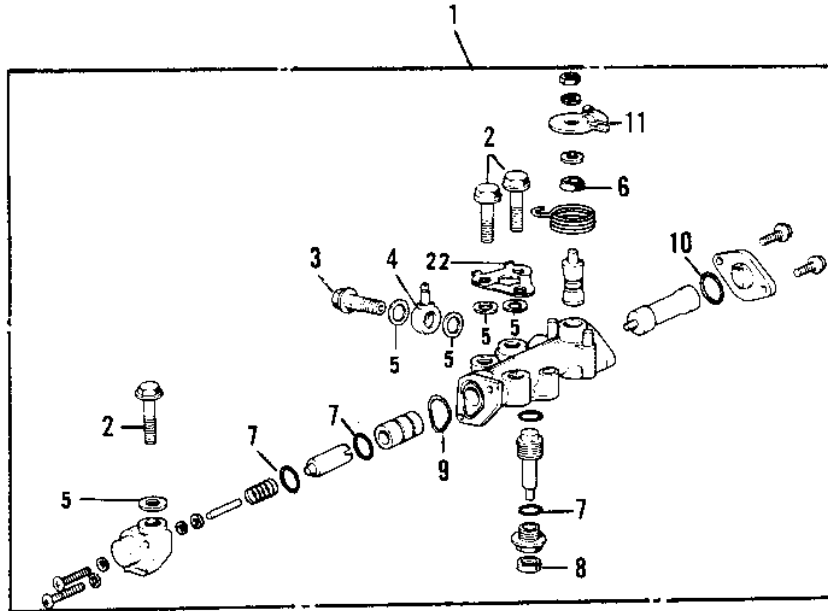


1973 Mach I PARTS DIAGRAM

OIL PUMP



1973 Mach I PARTS LIST

OIL PUMP

ITEM NAME	PART NUMBER	QUANTITY
OIL PUMP ASSY (Ref # 1)	16082-034	1
BOLT BANJO (Ref # 2)	92060-008	3
BOLT BANJO (Ref # 3)	92060-009	1
CONNECTOR BANJO (Ref # 4)	92061-015	1
WASHER OIL PUMP BANJO (Ref # 5)	92022-077	5
SEAL-OIL,CAMSHAFT,"X" (Ref # 6)	92049-1294	1
"O" RING,OIL PUMP SHT (Ref # 7)	16090-002	1
OIL SEAL OIL PUMP SHT (Ref # 8)	16091-001	1
"O" RING,UPPER CAP (Ref # 9)	16088-002	1
"O" RING,LOWER CAP (Ref # 10)	16090-003	1
LEVER OIL PUMP CABLE (Ref # 11)	16096-013	1
GASKET,OIL PUMP (Ref # 12)	11060-1160	1
SCREW-PAN-CROS (Ref # 13)	220B0514	1
SCREW PAN CROSS,5X28 (Ref # 14)	220B0528	2
WASHER OIL PUMP (Ref # 15)	92022-037	2
PIPE-OIL,L.H (Ref # 16)	16134-012	1
PIPE-OIL,CENTER (Ref # 17)	16134-013	1
PIPE-OIL,R.H (Ref # 18)	16134-014	1
BOLT-BANJO,CR (Ref # 19)	92060-010-79	3
GASKET CHECK VALVE (Ref # 20)	92065-023	3
GASKET CHECK VALVE (Ref # 21)	92065-058	3
WASHER,OIL PUMP LOCK (Ref # 22)	92024-058	1