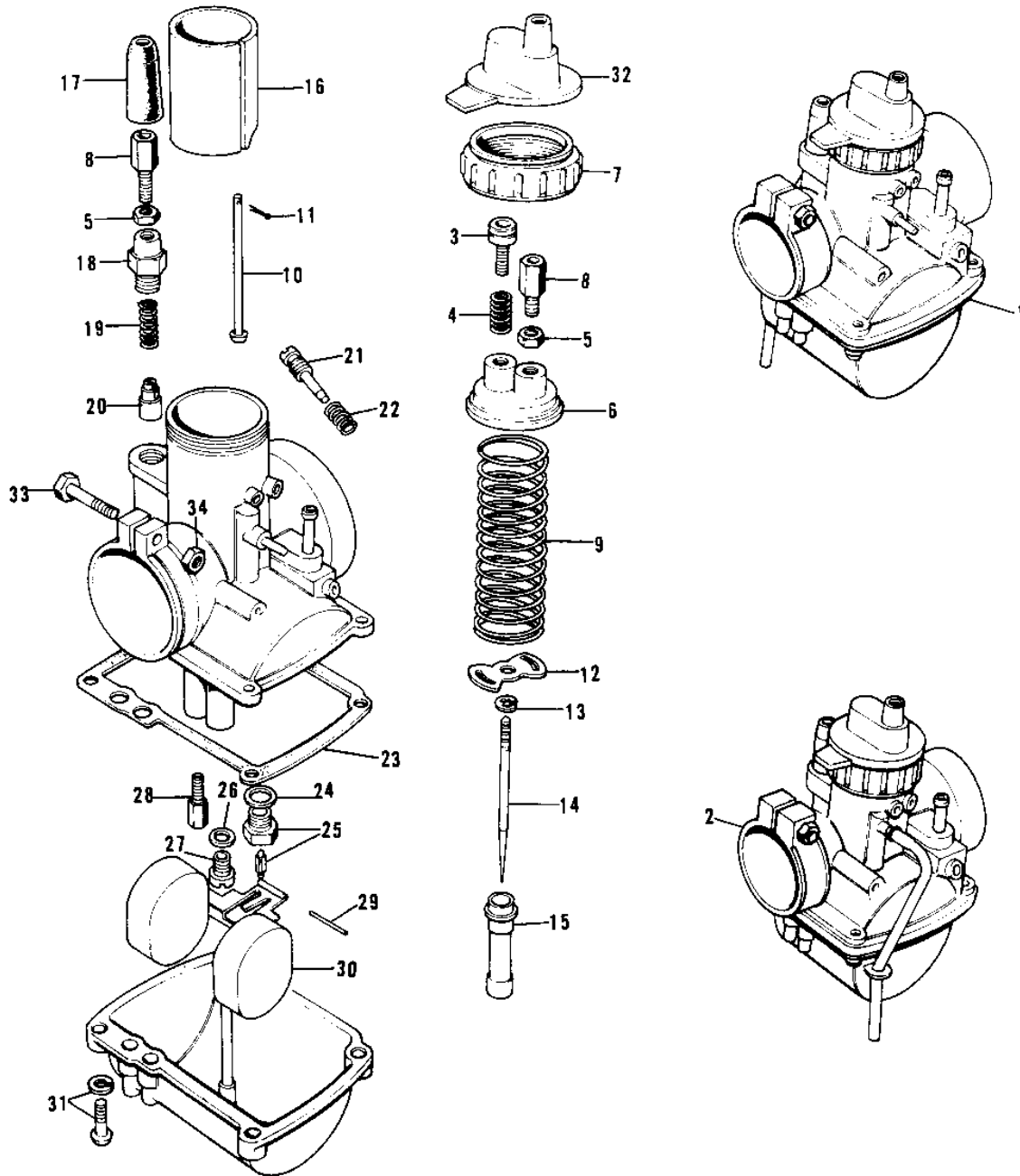


# 1973 Mach I PARTS DIAGRAM

## CARBURETORS



# 1973 Mach I PARTS LIST

## CARBURETORS

ITEM NAME	PART NUMBER	QUANTITY
CARBURETOR ASSY,L.H (Ref # 1)	16001-177	1
CARBURETOR ASSY,L.H (Ref # 1)	16001-235	1
CARBURETOR ASY,RH&CNT (Ref # 2)	16001-178	1
CARBURETOR ASY,R.H&CN (Ref # 2)	16001-236	1
SCREW,THROTTLE ADJSTR (Ref # 3)	16021-016	3
SPRING THR STOP SCREW (Ref # 4)	16022-005	3
NUT CABLE ADJUST LOCK (Ref # 5)	16003-004	6
TOP MIXING CHAMBER (Ref # 6)	16005-005	3
CAP,MIXING CHAMBER (Ref # 7)	16004-019	3
CABLE ADJUSTER (Ref # 8)	16002-002	6
SPRING,THROTTLE VALVE (Ref # 9)	16006-019	3
ROD,THROTTLE VLV STP (Ref # 10)	16024-012	3
PIN COTTER 1.2X10 (Ref # 11)	550D1210	3
SPRING SEAT THRTL VLV (Ref # 12)	16007-002	3
CIRCLIP (Ref # 13)	16008-010	3
JET NEEDLE 4EJ9 (Ref # 14)	16009-057	3
NEEDLE JET,O-2 (Ref # 15)	16017-066	3
VALVE,THROTTLE CA.2.5 (Ref # 16)	16025-054	3
CAP CABLE ADJUST RUBB (Ref # 17)	16036-005	3
CAP STARTER PLUNGER (Ref # 18)	16012-004	3
SPRING-PLUNGER (Ref # 19)	16013-003	3
PLUNGER-ENRICHNER (Ref # 20)	16016-002	3
SCREW (Ref # 21)	16014-006	3
SPRING-THR STOP SCREW (Ref # 22)	16022-007	3
GASKET FLOAT CHAMBER (Ref # 23)	16019-012	3
WASHER VALVE SEAT (Ref # 24)	16029-002	3
FLOAT VALVE ASSY (Ref # 25)	16030-001	3
WASHER MAIN JET (Ref # 26)	16034-001	3
MAIN JET NO 75R (Ref # 27)	92063-109	3

# 1973 Mach I PARTS LIST

## CARBURETORS

ITEM NAME	PART NUMBER	QUANTITY
MAIN JET,#70R (Ref # 27)	92063-1012	(3
MAIN JET NO 72.5R (Ref # 27)	92063-108	(3
MAIN JET,#77.5R (Ref # 27)	92063-1032	(3
MAIN JET, #A80 (Ref # 27)	92063-1030	(3
JET-PILOT NO 20 (Ref # 28)	92064-021	3
FLOAT PIN (Ref # 29)	16032-003	3
FLOAT (Ref # 30)	16031-015	3
SCREW-FLOAT CHAMBER (Ref # 31)	16033-012	12
SCREW-FLOAT CHAMBER (Ref # 32)	16033-012	3
BOOT,CARBURETOR (Ref # 32)	49006-1021	AL
SCREW CLAMP (Ref # 33)	16010-004	3
NUT 6MM (Ref # 34)	311B0600	3