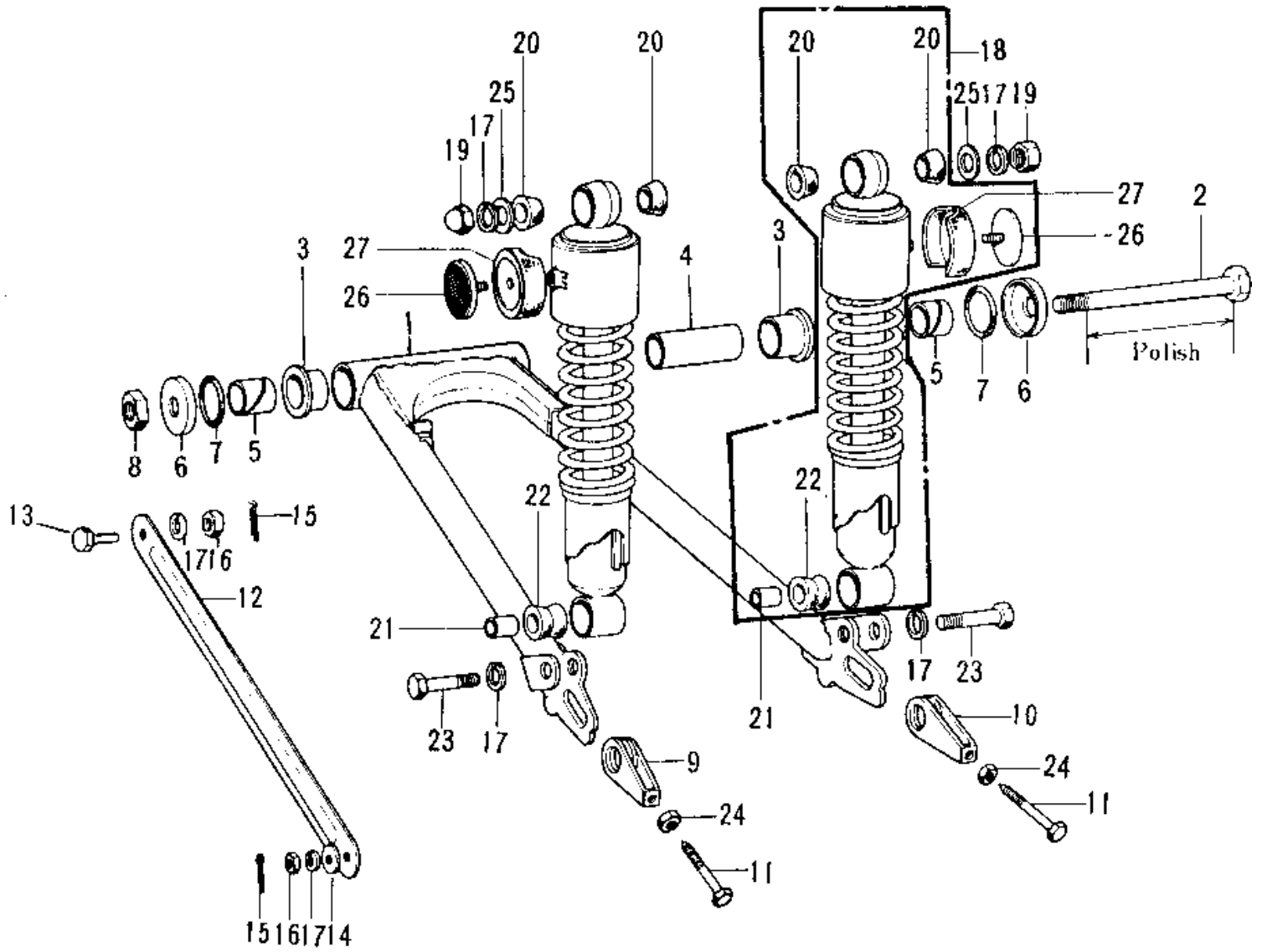


1973 Mach I PARTS DIAGRAM

SWING ARM/SHOCK ABSORBERS (S1-A)



1973 Mach I PARTS LIST

SWING ARM/SHOCK ABSORBERS (S1-A)

ITEM NAME	PART NUMBER	QUANTITY
ARM-SWING (Ref # 1)	33001-039	1
SHAFT-SWING ARM PIVOT (Ref # 2)	33032-037	1
BUSHING-SWING ARM (Ref # 3)	33033-009	2
SLEEVE-SWING ARM, LONG (Ref # 4)	33034-012	1
UNAVAILABLE IN PRICE BOOK (Ref # 5)	33032-013	2
CAP-SWING ARM (Ref # 6)	33035-004	2
"0" RING, 30MM (Ref # 7)	671B2530	2
NUT-LOCK, 14MM (Ref # 8)	92019-011	1
ADJUSTER CHAIN L.H (Ref # 9)	33040-032	1
ADJUSTER CHAIN R.H (Ref # 10)	33040-033	1
BOLT, 8X50 (Ref # 11)	92001-1399	2
BOLT, 8X50 (Ref # 11)	92001-1399	2
TORQUE LINK-RR BRAKE (Ref # 12)	43007-031	1
BOLT (Ref # 13)	92003-096	1
WASHER PLAIN 10MM (Ref # 14)	410B1000	2
PIN, SNAP (Ref # 15)	554A0800	2
NUT, 10MM (Ref # 16)	314B1000	2
WASHER SPRING 10MM (Ref # 17)	461F1000	6
SHOCK ABSORBER RR (Ref # 18)	45014-078	2
NUT SHOCK ABSORBER (Ref # 19)	92020-003	2
BUSH SHOCK ABS RUBBER (Ref # 20)	45017-001	4
BUSH SHOCK ABS PVT SFT (Ref # 21)	45016-003	2
BUSHING, SHOCK ABS RUB (Ref # 22)	45017-018	2
BOLT HEX HEAD 10X35 (Ref # 23)	113N1035	2
NUT 8MM (Ref # 24)	312B0800	2
WASHER-PL-10.5X26X2.3 (Ref # 25)	92022-044	2
REFLECTOR, REFLEX, REAR (Ref # 26)	28001-030	2
DAMPER RUBBER-REFLEX (Ref # 27)	28016-002	2