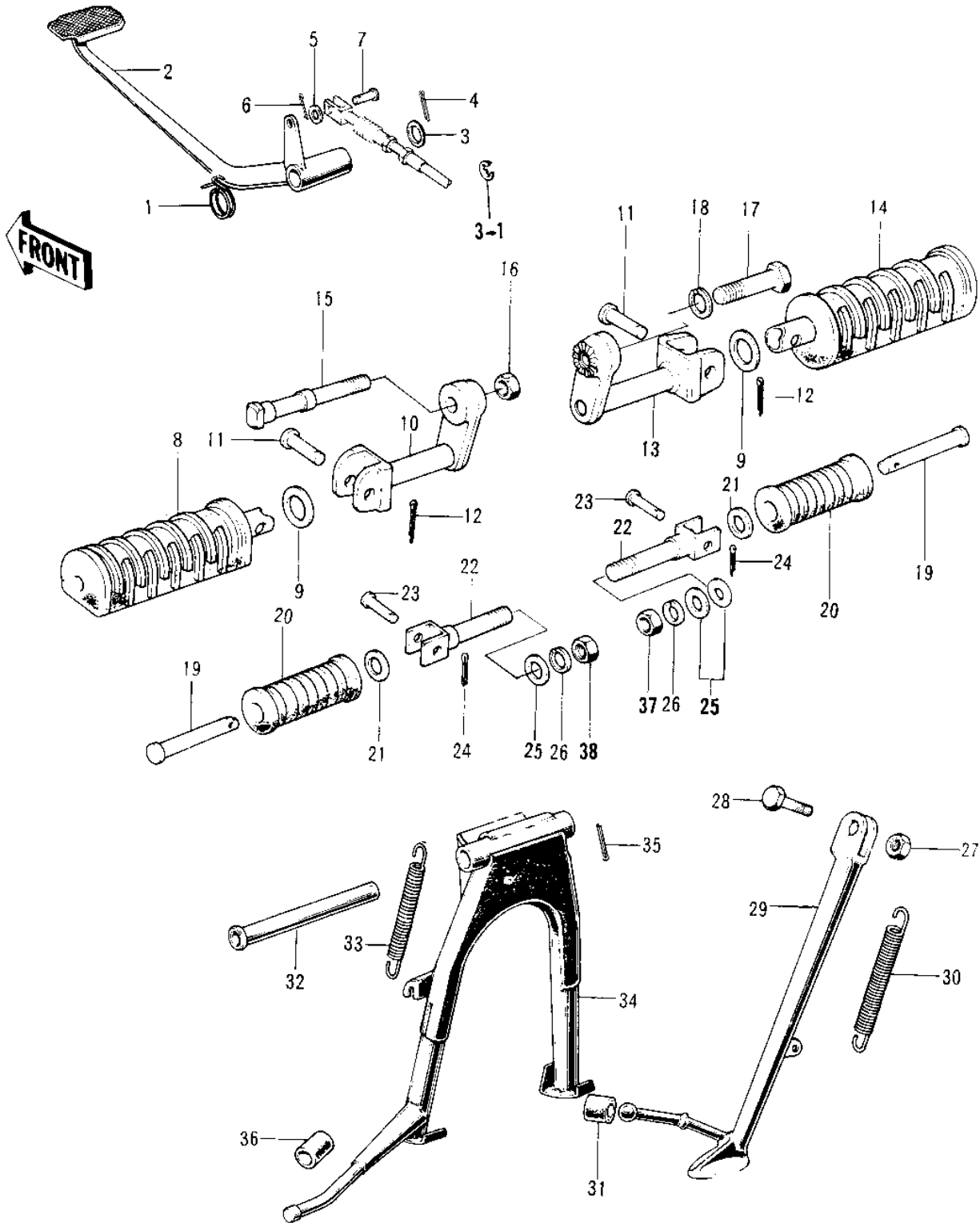


1973 Mach I PARTS DIAGRAM

FOOTRESTS/STANDS/BRAKE PEDAL



1973 Mach I PARTS LIST

FOOTRESTS/STANDS/BRAKE PEDAL

| ITEM NAME | PART NUMBER | QUANTITY |
|----------------------------------|-------------|----------|
| SPRING,BRAKE PEDAL (Ref # 1) | 43005-033 | 1 |
| SPRING,BRAKE PEDAL (Ref # 1) | 43005-033 | 1 |
| PEDAL-BRAKE (Ref # 2) | 43001-038 | 1 |
| PEDAL,BRAKE (Ref # 2) | 43001-060 | 1 |
| WASHER BRAKE PEDAL (Ref # 3) | 92022-085 | 1 |
| CIRCLIP 12MM (Ref # 3-1) | 482K0200 | 1 |
| PIN COTTER 3.0X20 (Ref # 4) | 550D3020 | 1 |
| WASHER PLAIN 6MM (Ref # 5) | 410B0600 | 1 |
| PIN COTTER 2.0X15 (Ref # 6) | 550D2015 | 1 |
| PIN R BRK CABLE JOINT (Ref # 7) | 92043-034 | 1 |
| BAR-FOOTREST,L.H (Ref # 8) | 34028-011 | 1 |
| WASHER PL 22.5X36X2.3 (Ref # 9) | 92022-204 | 2 |
| HOLDER-FOTREST BAR LH (Ref # 10) | 34003-040 | 1 |
| PIN-FOOTREST BAR FIT (Ref # 11) | 92043-080 | 2 |
| PIN,COTTER,2.5X15 (Ref # 12) | 550D2515 | 2 |
| HOLDER-FOTREST BAR RH (Ref # 13) | 34003-041 | 1 |
| BAR-FOOTREST,R.H (Ref # 14) | 34028-012 | 1 |
| BOLT-L.H FOOTREST FIT (Ref # 15) | 92003-076 | 1 |
| NUT-HEX-FINE,12MM (Ref # 16) | 315B1200 | 1 |
| BOLT,R.H.FOOTREST FIT (Ref # 17) | 92001-1068 | 1 |
| WASHER SPRING 12MM (Ref # 18) | 461F1200 | 1 |
| BAR-RR FOOTREST (OPT) (Ref # 19) | 34028-009 | 2 |
| RUBBER,REAR FOOTREST (Ref # 20) | 92076-024 | 2 |
| WASHER-PLAIN (OPT) (Ref # 21) | 92022-199 | 2 |
| HOLDER-STEP RR (Ref # 22) | 34029-008 | 2 |
| BRACKET,REAR FOOTREST (Ref # 22) | 34029-011 | 2 |
| PIN (Ref # 23) | 92043-1464 | 2 |
| PIN,COTTER,2.0X12 (Ref # 24) | 550D2012 | 2 |
| WASHER PLAIN 10MM (Ref # 25) | 410B1000 | 3 |

1973 Mach I PARTS LIST

FOOTRESTS/STANDS/BRAKE PEDAL

| ITEM NAME | PART NUMBER | QUANTITY |
|----------------------------------|-------------|----------|
| WASHER SPRING 10MM (Ref # 26) | 461F1000 | 2 |
| NUT,10MM (Ref # 27) | 314B1000 | 1 |
| BOLT,HEX HEAD 10X35 (Ref # 28) | 92001-1252 | 1 |
| BOLT-SIDE STAND (Ref # 28) | 92003-079 | 1 |
| STAND-SIDE (Ref # 29) | 34024-051 | 1 |
| SPRING MAIN STAND (Ref # 30) | 34023-005 | 1 |
| DAMPER RUBB SIDE STND (Ref # 31) | 92075-031 | 1 |
| SHAFT MAIN STAND (Ref # 32) | 34019-011 | 1 |
| SPRING-MAIN STAND (Ref # 33) | 34023-010 | 1 |
| STAND-MAIN (Ref # 34) | 34011-028 | 1 |
| PIN COTTER 3.0X25 (Ref # 35) | 550D3025 | 1 |
| DAMPER RUBB-MAIN STND (Ref # 36) | 92075-115 | 1 |
| DAMPER RUBB-MAIN STND (Ref # 36) | 92075-115 | 1 |
| NUT,10MM (Ref # 37) | 314B1000 | 1 |
| NUT,10MM (Ref # 37) | 92015-1429 | 1 |
| NUT,LOCK,10MM (Ref # 37) | 92019-021 | 1 |
| NUT,10MM (Ref # 38) | 314B1000 | 1 |