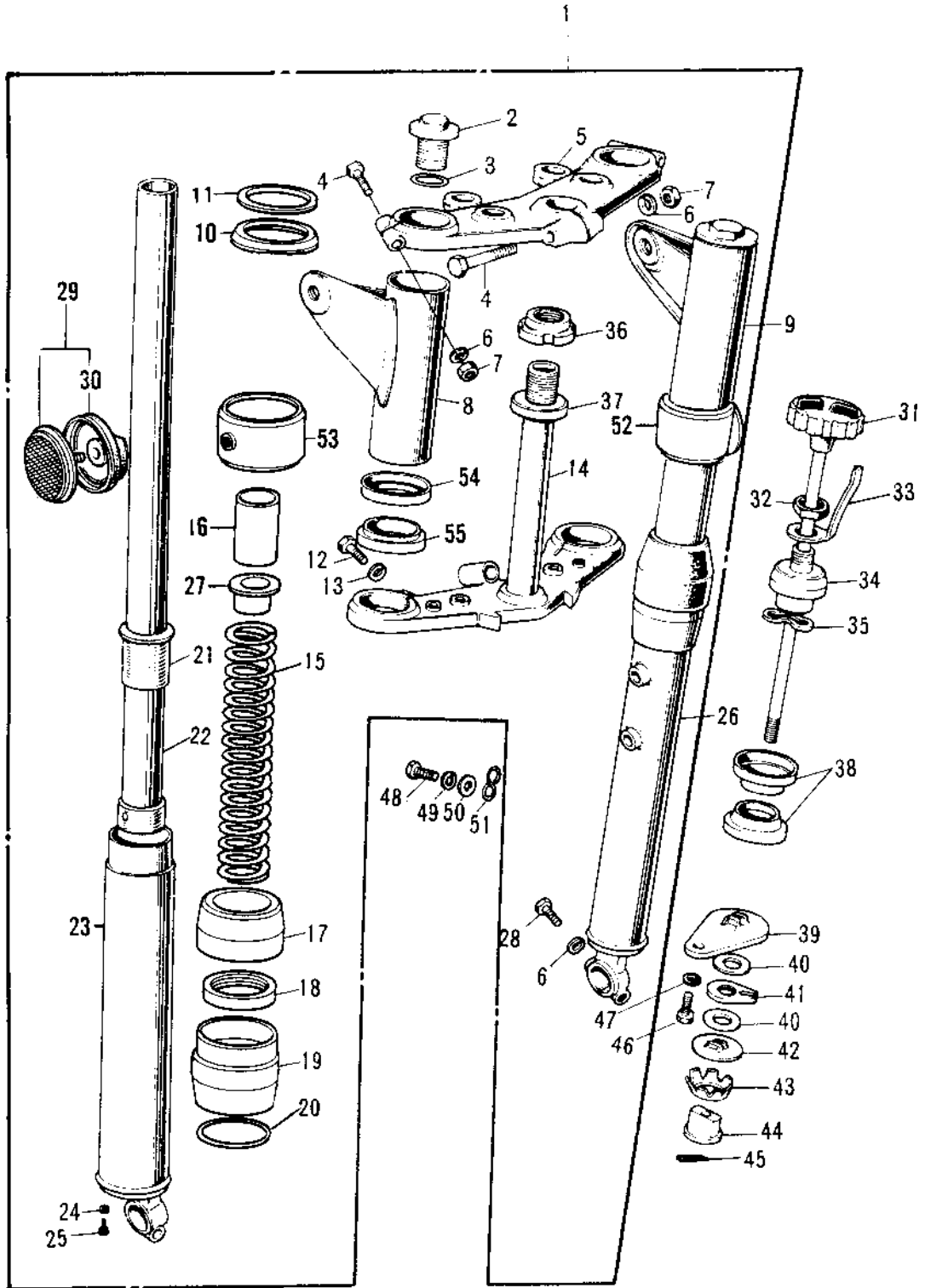


1973 Mach I PARTS DIAGRAM

FRONT FORK (S1-A/B)



1973 Mach I PARTS LIST

FRONT FORK (S1-A/B)

ITEM NAME	PART NUMBER	QUANTITY
FORK-FRONT,BLACK (Ref # 1)	44001-104-21	1
BOLT-FORK FITTING (Ref # 2)	44041-037	2
'O' RING FORK TOP (Ref # 3)	44046-015	2
BOLT-HEX HEAD,8X55 (Ref # 4)	44041-038	3
HEAD,STEERING STEM (Ref # 5)	44039-052	1
WASHER SPRING 8MM (Ref # 6)	461F0800	4
NUT,8MM (Ref # 7)	311B0800	3
COVER,L.H FORK,F.BLK (Ref # 8)	44033-054-21	1
COVER,R.H FORK,F.BLK (Ref # 9)	44034-054-21	1
WASHER,FORK COVER (Ref # 10)	44043-047	2
GASKET,FORK COVER (Ref # 11)	44045-039	2
BOLT,HEX HEAD 10X35 (Ref # 12)	92001-1252	2
WASHER SPRING 10MM (Ref # 13)	461F1000	2
STEM,STEERING (Ref # 14)	44037-059	1
SPRING-FORK (Ref # 15)	44026-038	2
SPACER-FORK SPRG GIDE (Ref # 16)	44028-022	2
DUST SHIELD (Ref # 17)	44010-017	2
OIL SEAL,FORK (Ref # 18)	44009-020	2
NUT FORK OUTER TUBE (Ref # 19)	44007-015	2
'O' RING OUTER TUBE (Ref # 20)	44046-016	2
GUIDE FORK INNER TUBE (Ref # 21)	44015-011	2
TUBE-FORK INNER (Ref # 22)	44013-031	2
TUBE,LH,FORK OUTER (Ref # 23)	44005-039	1
GASKET FORK DRAIN PLG (Ref # 24)	44045-002	2
SCREW PAN HEAD 4X8 (Ref # 25)	220B0408	2
TUBE,RH,FORK OUTER (Ref # 26)	44006-037	1
GUIDE-FORK SPRING (Ref # 27)	44029-019	2
BOLT FRNT AXLE PINCH (Ref # 28)	44041-017	1
REFLECTOR,REFLEX,FRNT (Ref # 29)	28001-029	2

1973 Mach I PARTS LIST

FRONT FORK (S1-A/B)

ITEM NAME	PART NUMBER	QUANTITY
DAMPER RUBBER-REFLEX (Ref # 30)	28016-002	2
KNOB-STEERING DAMPER (Ref # 31)	46101-007	1
NUT 12MM (Ref # 32)	315N1200A	1
SPRING STRG DAMP KNOB (Ref # 33)	46126-001	1
BOLT-STEERING STEM (Ref # 34)	92090-020	1
WASHER-WAVE (Ref # 35)	46100-002	1
NUT STEERING STEM LCK (Ref # 36)	92090-007	1
CAP, STEERING STEM (Ref # 37)	46098-016	1
CONE STRNG STEM BERNG (Ref # 38)	92047-006	2
PLATE-STRG DAMP STEEL (Ref # 39)	46106-007	1
PLATE STRG DAMP FRCTN (Ref # 40)	46104-005	1
PLATE STRG DAMP ANCHR (Ref # 41)	46105-005	1
PLATE-STRG DAMP STEEL (Ref # 42)	46106-008	1
SPRING-STEERING DAMP (Ref # 43)	46124-006	1
NUT STRG DAMPER GUIDE (Ref # 44)	46125-005	1
PIN COTTER 1.6X15 (Ref # 45)	550D1615	1
BOLT SMALL (Ref # 46)	114G0812	1
WASHER SPRING 8MM (Ref # 47)	461F0800	1
BOLT-UPSET,6X12 (Ref # 48)	112G0612	1
WASHER SPRING 6MM (Ref # 49)	461F0600	1
WASHER PLAIN 6MM (Ref # 50)	410B0600	1
CLAMP-CABLE (Ref # 51)	92037-046	1
GUIDE,R.H FORK COVER (Ref # 52)	44064-011	1
GUIDE,L.H FORK COVER (Ref # 53)	44064-012	1
CAP,FORK COVER (Ref # 54)	44032-005	2
GASKET,FORK COVER (Ref # 55)	44045-039	2