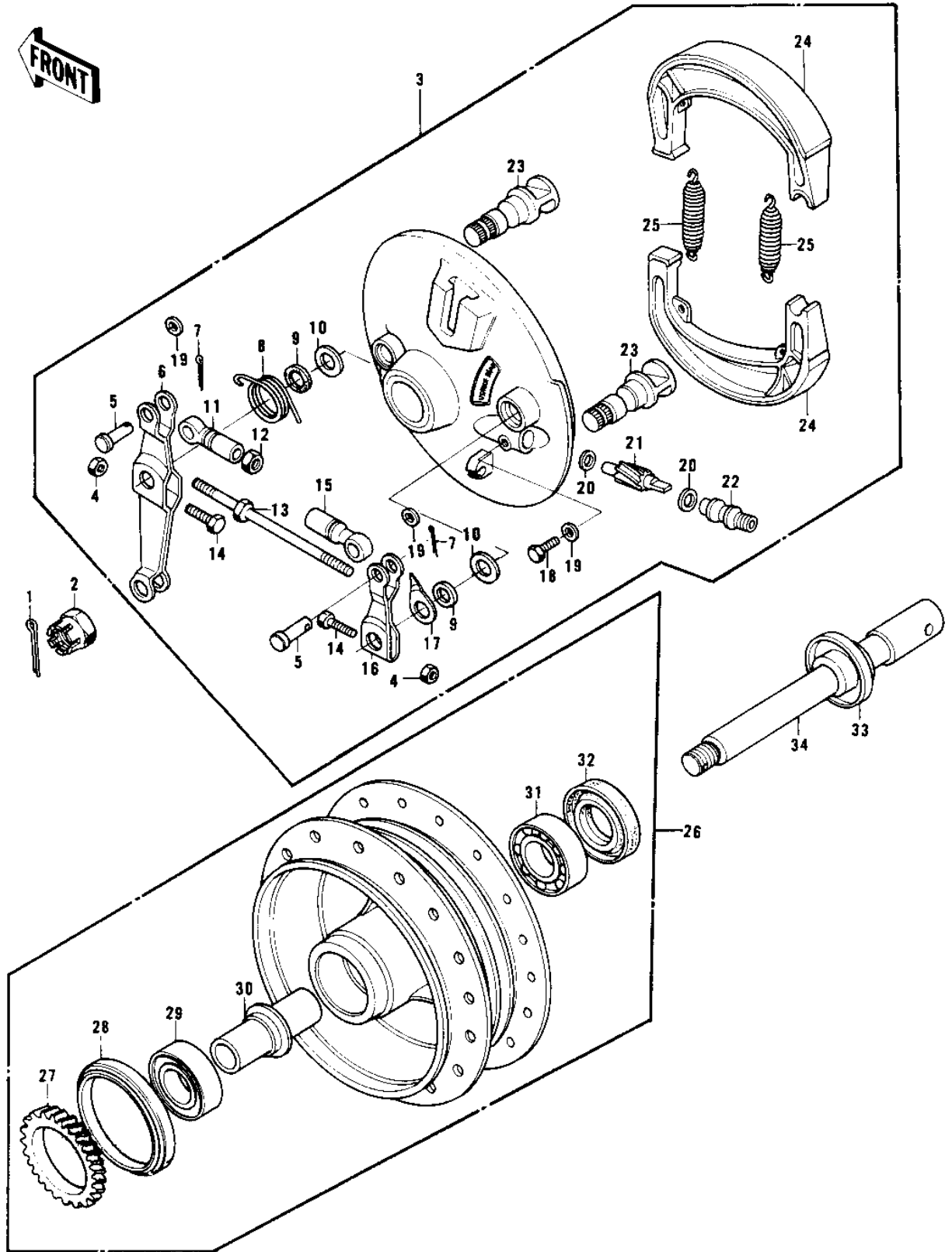


# 1974 Mach I PARTS DIAGRAM

## FRONT HUB/BRAKE



# 1974 Mach I PARTS LIST

## FRONT HUB/BRAKE

ITEM NAME	PART NUMBER	QUANTITY
PIN COTTER 3.0X30 (Ref # 1)	550D3030	
PIN,COTTER,3.0X28 (Ref # 1)	550D3028	
NUT-CASTLE,14MM (Ref # 2)	320B1400	
PANEL-ASY,FR BRK BUFF (Ref # 3)	41035-066-80	
PANEL-ASY,FR BRK BUFF (Ref # 3)	41035-066-80	
PANEL-ASY,FR BRK BUFF (Ref # 3)	41035-066-80	
NUT 6MM (Ref # 4)	311B0600	
NUT,6MM (Ref # 4)	41072-007	
PIN BRAKE CONNECT ROD (Ref # 5)	41055-003	
LEVER FRT BRK CAM 1ST (Ref # 6)	41053-011	
PIN COTTER 1.2X10 (Ref # 7)	550D1210	
SPRING FR BRK CAM LEV (Ref # 8)	41056-001	
DUST SHIELD BRAKE CAM (Ref # 9)	41051-001	
WASHER,BRAKE CAMSHAFT (Ref # 10)	41052-005	
ROD END,BRK CONNECT (Ref # 11)	41058-008	
NUT,5MM (Ref # 12)	311B0500	
ROD BRK CAM LEV CONCT (Ref # 13)	41057-004	
BOLT-UPSET (Ref # 14)	112G0630	
ROD END,BRK CONNECT (Ref # 15)	41058-009	
LEVER FRT BRK CAM 2ND (Ref # 16)	41053-012	
INDICATOR,BRAKE PANEL (Ref # 17)	41085-009	
INDICATOR,FRONT BRAKE (Ref # 17)	41085-001	
BOLT-UPSET (Ref # 18)	112G0618	
WASHER PLAIN 6MM (Ref # 19)	411B0600	
WASHER PINION THRUST (Ref # 20)	41063-003	
PINION SPEEDOMETER (Ref # 21)	41060-007	
BUSH SPEDMETER PINION (Ref # 22)	41062-003	
CAM SHAFT FRONT BRAKE (Ref # 23)	41050-004	
CAM SHAFT,FRONT BRAKE (Ref # 23)	41050-016	

# 1974 Mach I PARTS LIST

## FRONT HUB/BRAKE

ITEM NAME	PART NUMBER	QUANTITY
SHOE,BRAKE (Ref # 24)	41048-019	
SPRING FRNT BRK SHOE (Ref # 25)	41049-004	
DRUM-ASSY,FR BRK (Ref # 26)	41034-007	
GEAR SPEEDOMETER (Ref # 27)	41059-009	
OIL SEAL WOC55687 (Ref # 28)	92050-017	
BEARING BALL #6302Z (Ref # 29)	601B6302Z	
SPACER F AXLE BEARING (Ref # 30)	41039-011	
BEARING BALL #6302 (Ref # 31)	601B6302	
OIL SEAL WTC25428 (Ref # 32)	92052-005	
COLLAR F AXL OIL SEAL (Ref # 33)	41069-007	
UNAVAILABLE IN PRICE BOOK (Ref # 34)	41069-035	