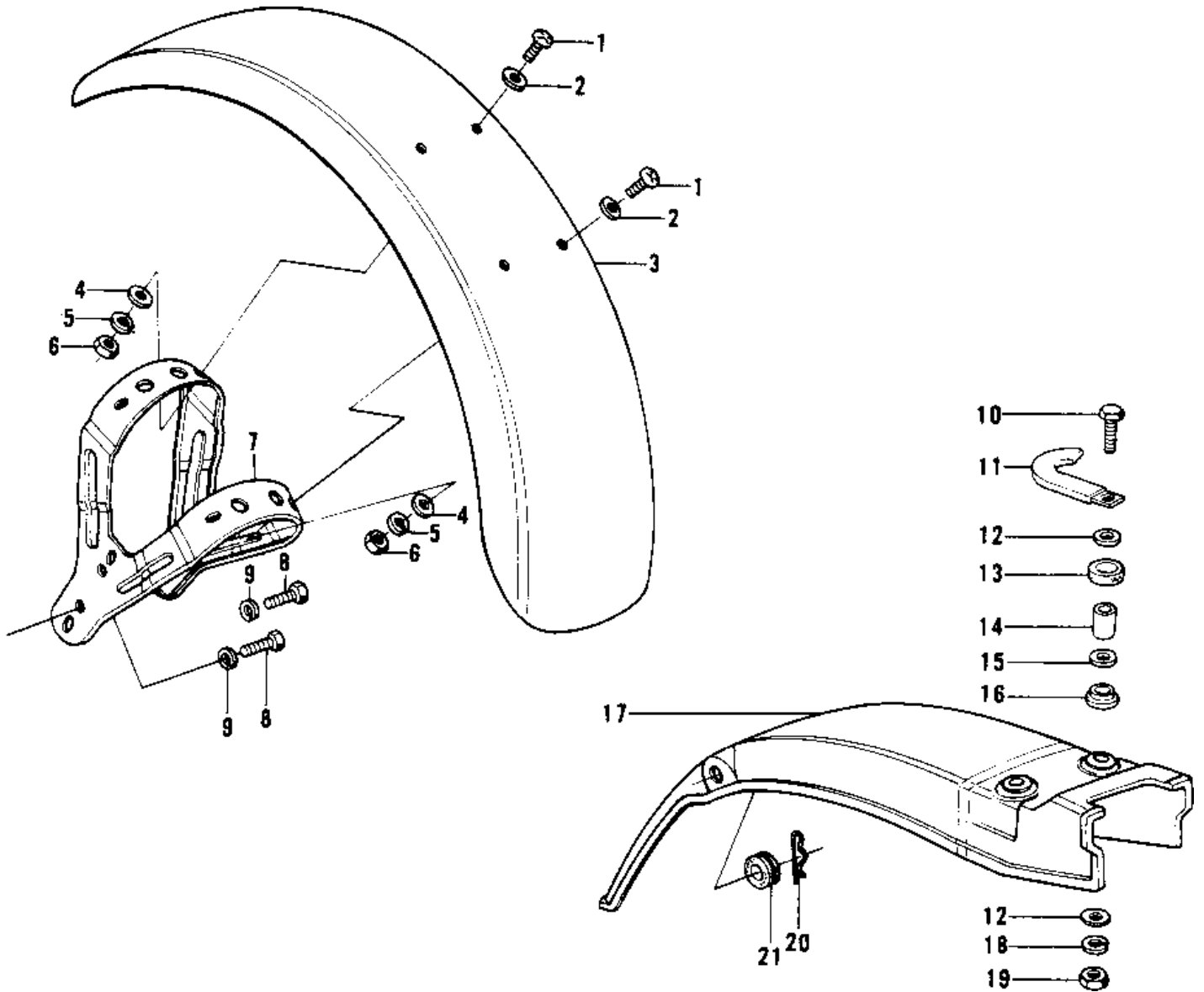


1973 Mach I PARTS DIAGRAM

FENDERS (KH250-A5)



1973 Mach I PARTS LIST

FENDERS (KH250-A5)

ITEM NAME	PART NUMBER	QUANTITY
SCREW PAN HEAD 6X14 (Ref # 1)	220E0614	4
WASHER-PLAIN (Ref # 2)	92022-193	4
FENDER-FR (Ref # 3)	35004-084	1
WASHER PLAIN 6MM (Ref # 4)	411B0600	4
WASHER SPRING 6MM (Ref # 5)	461F0600	4
NUT 6MM (Ref # 6)	311B0600	4
BRACE,FRONT FENDER (Ref # 7)	35009-036	1
BOLT SMALL (Ref # 8)	114G0812	4
WASHER SPRING 8MM (Ref # 9)	461F0800	4
BOLT 6X35 (Ref # 10)	110R0635	2
CLAMP,HARNESS (Ref # 11)	92037-113	2
WASHER,PLAIN,7MM (Ref # 12)	92022-228	4
DAMPER RUBBER,RR FEND (Ref # 13)	92075-121	2
COLLAR,REAR FENDER (Ref # 14)	92027-162	2
WASHER,PLAIN,7MM (Ref # 15)	92022-227	2
DAMPER RUBBER,RR FEND (Ref # 16)	92075-133	1
FENDER-RR (Ref # 17)	35022-099	1
WASHER SPRING 6MM (Ref # 18)	461F0600	2
NUT 6MM (Ref # 19)	311B0600	2
COTTER PIN (Ref # 20)	92041-003	2
DAMPER RUBBER (Ref # 21)	92075-105	2