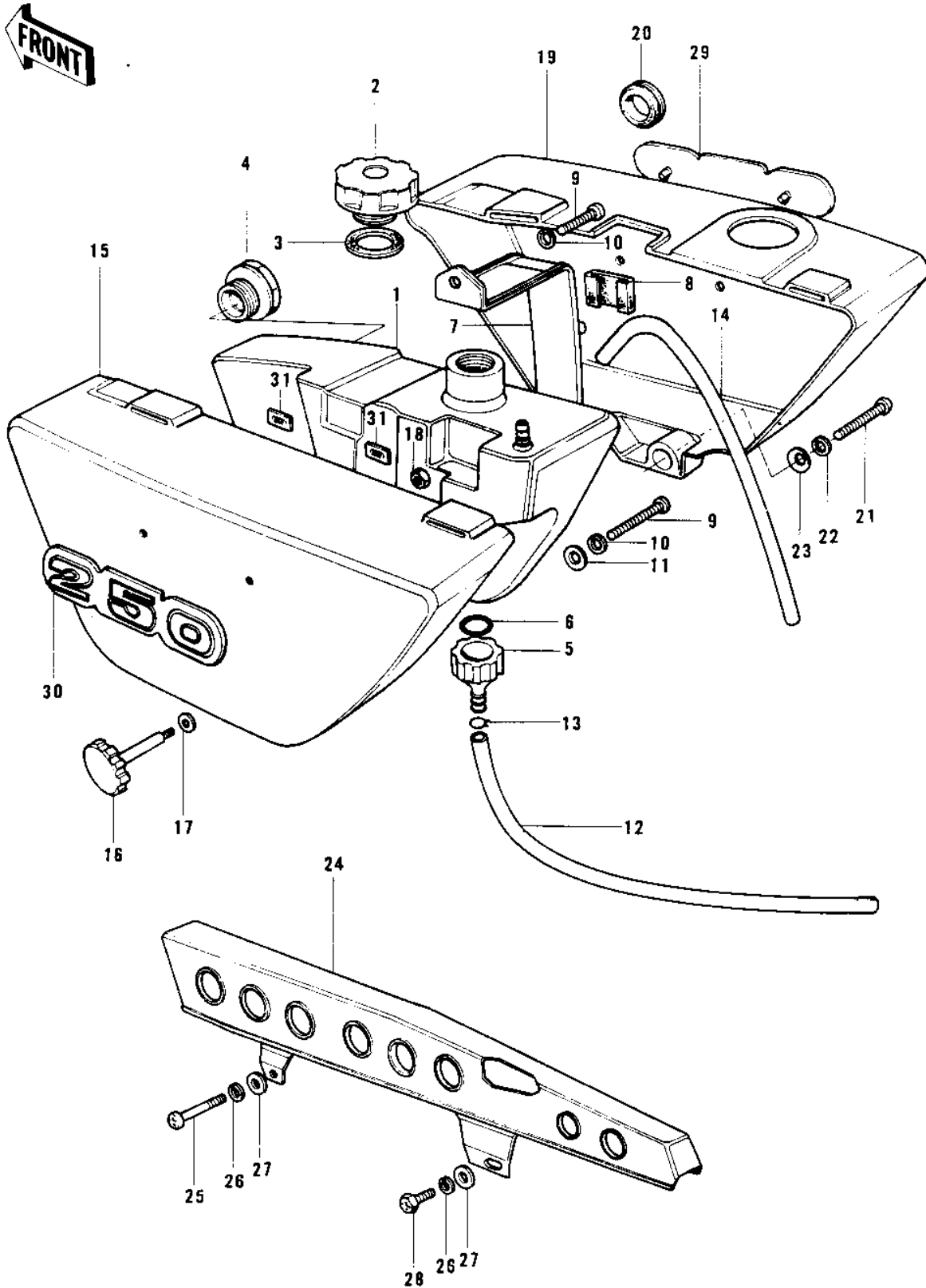


# 1974 Mach I PARTS DIAGRAM

SIDE COVERS/OIL TANK/CHAIN COVER (S1-A)



# 1974 Mach I PARTS LIST

## SIDE COVERS/OIL TANK/CHAIN COVER (S1-A)

| ITEM NAME                        | PART NUMBER  | QUANTITY |
|----------------------------------|--------------|----------|
| TANK-OIL (Ref # 1)               | 52001-033    |          |
| CAP-OIL TANK (Ref # 2)           | 52003-020    |          |
| GASKET-OIL TANK (Ref # 3)        | 92065-086    |          |
| GAUGE-OIL LEVEL (Ref # 4)        | 52015-005    |          |
| FILTER-OIL (Ref # 5)             | 52020-001    |          |
| "O" RING,15MM (Ref # 6)          | 670B2015     |          |
| BAND-OIL TANK (Ref # 7)          | 52018-002    |          |
| DAMPER RUBBER-OIL TNK (Ref # 8)  | 31082-010    |          |
| SCREW PAN HEAD 6X14 (Ref # 9)    | 220B0614     |          |
| WASHER SPRING 6MM (Ref # 10)     | 461F0600     |          |
| WASHER PLAIN 6MM (Ref # 11)      | 411B0600     |          |
| PIPE-OIL (Ref # 12)              | 92059-072    |          |
| CLAMP FUEL PIPE (Ref # 13)       | 92037-010    |          |
| TUBE-VINYL,5X600 (Ref # 14)      | 700Q05600    |          |
| COVER-L.H SIDE,ORANGE (Ref # 15) | 36001-039-91 |          |
| COVER-L.H SIDE,C.BLUE (Ref # 15) | 36001-039-93 |          |
| COVER,L.H SIDE,C.GOLD (Ref # 15) | 36001-039-94 |          |
| KNOB (Ref # 16)                  | 92077-020    |          |
| DAMPER RUBB SIDE COV (Ref # 17)  | 92075-041    |          |
| NUT 6MM (Ref # 18)               | 312B0600     |          |
| COVER,RH SIDE,ORANGE (Ref # 19)  | 36007-031-91 |          |
| COVER,RH SIDE,C.BLUE (Ref # 19)  | 36007-031-93 |          |
| COVER,RH SIDE,C.GOLD (Ref # 19)  | 36007-031-94 |          |
| GROMMET-R.H SIDE COV (Ref # 20)  | 92071-065    |          |
| SCREW-PAN HEAD, 6X35 (Ref # 21)  | 220E0635     |          |
| WASHER SPRING 6MM (Ref # 22)     | 461F0600     |          |
| WASHER-PLAIN,6MM (Ref # 23)      | 411D0600     |          |
| CASE-CHAIN,FR BLACK (Ref # 24)   | 36014-040-21 |          |
| SCREW PAN HEAD 6X55 (Ref # 25)   | 220E0655     |          |

# 1974 Mach I PARTS LIST

SIDE COVERS/OIL TANK/CHAIN COVER (S1-A)

| ITEM NAME                        | PART NUMBER | QUANTITY |
|----------------------------------|-------------|----------|
| WASHER SPRING 6MM (Ref # 26)     | 461F0600    |          |
| WASHER-PLAIN (Ref # 27)          | 92022-193   |          |
| BOLT,HEX HEAD,6X14 (Ref # 28)    | 92001-121   |          |
| EMBLEM,R.H SIDE COVER (Ref # 29) | 56018-133   |          |
| EMBLEM,L.H SIDE COVER (Ref # 30) | 56018-134   |          |
| NUT,LOCK,3MM (Ref # 31)          | 92018-005   |          |