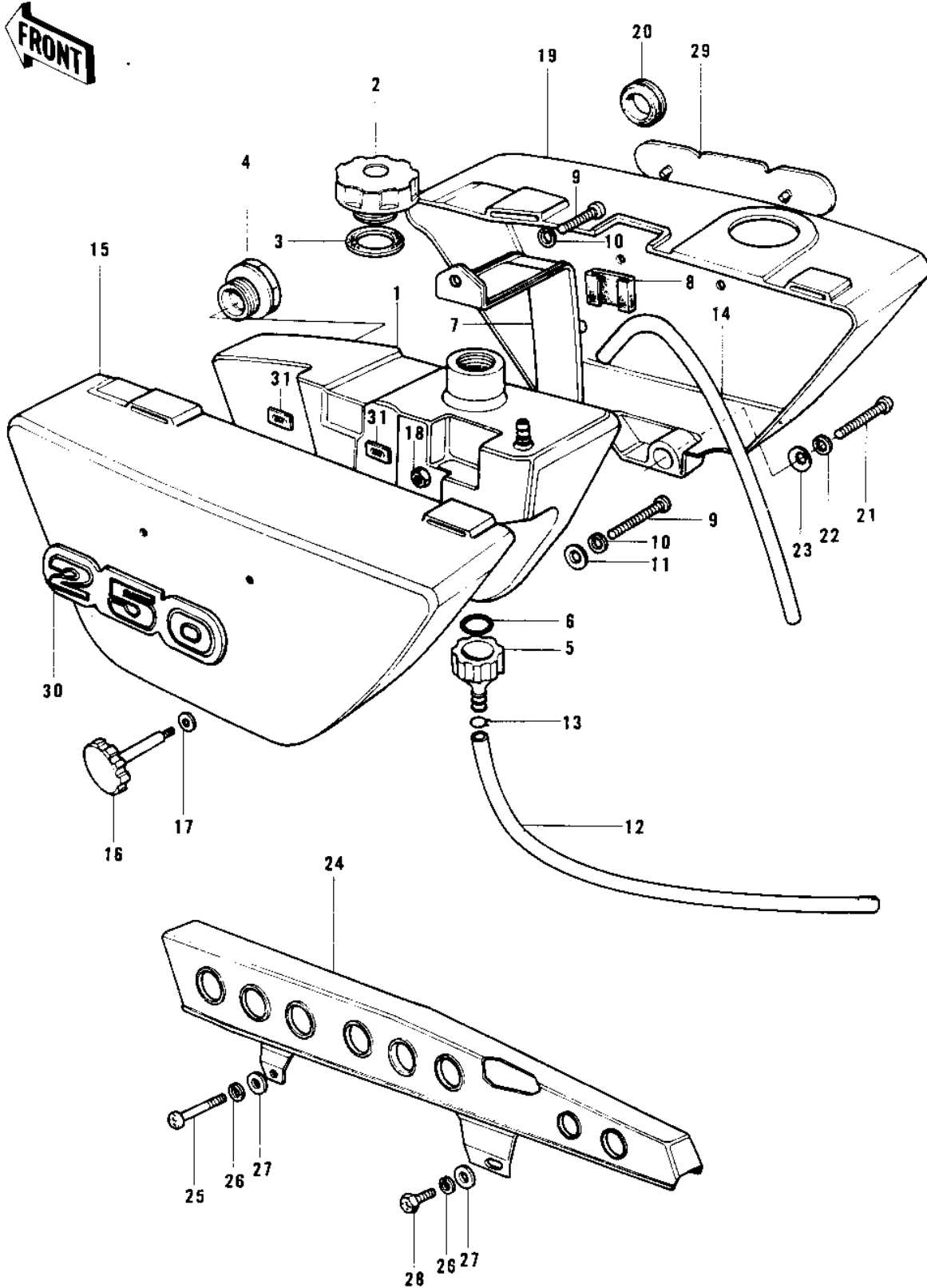


# 1975 Mach I PARTS DIAGRAM

SIDE COVERS/OIL TANK/CHAIN COVER (S1-A)



# 1975 Mach I PARTS LIST

## SIDE COVERS/OIL TANK/CHAIN COVER (S1-A)

ITEM NAME	PART NUMBER	QUANTITY
TANK-OIL (Ref # 1)	52001-033	
CAP-OIL TANK (Ref # 2)	52003-020	
GASKET-OIL TANK (Ref # 3)	92065-086	
GAUGE-OIL LEVEL (Ref # 4)	52015-005	
FILTER-OIL (Ref # 5)	52020-001	
"O" RING,15MM (Ref # 6)	670B2015	
BAND-OIL TANK (Ref # 7)	52018-002	
DAMPER RUBBER-OIL TNK (Ref # 8)	31082-010	
SCREW PAN HEAD 6X14 (Ref # 9)	220B0614	
WASHER SPRING 6MM (Ref # 10)	461F0600	
WASHER PLAIN 6MM (Ref # 11)	411B0600	
PIPE-OIL (Ref # 12)	92059-072	
CLAMP FUEL PIPE (Ref # 13)	92037-010	
TUBE-VINYL,5X600 (Ref # 14)	700Q05600	
COVER-L.H SIDE,ORANGE (Ref # 15)	36001-039-91	
COVER-L.H SIDE,C.BLUE (Ref # 15)	36001-039-93	
COVER,L.H SIDE,C.GOLD (Ref # 15)	36001-039-94	
KNOB (Ref # 16)	92077-020	
DAMPER RUBB SIDE COV (Ref # 17)	92075-041	
NUT 6MM (Ref # 18)	312B0600	
COVER,RH SIDE,ORANGE (Ref # 19)	36007-031-91	
COVER,RH SIDE,C.BLUE (Ref # 19)	36007-031-93	
COVER,RH SIDE,C.GOLD (Ref # 19)	36007-031-94	
GROMMET-R.H SIDE COV (Ref # 20)	92071-065	
SCREW-PAN HEAD, 6X35 (Ref # 21)	220E0635	
WASHER SPRING 6MM (Ref # 22)	461F0600	
WASHER-PLAIN,6MM (Ref # 23)	411D0600	
CASE-CHAIN,FR BLACK (Ref # 24)	36014-040-21	
SCREW PAN HEAD 6X55 (Ref # 25)	220E0655	

# 1975 Mach I PARTS LIST

SIDE COVERS/OIL TANK/CHAIN COVER (S1-A)

ITEM NAME	PART NUMBER	QUANTITY
WASHER SPRING 6MM (Ref # 26)	461F0600	
WASHER-PLAIN (Ref # 27)	92022-193	
BOLT,HEX HEAD,6X14 (Ref # 28)	92001-121	
EMBLEM,R.H SIDE COVER (Ref # 29)	56018-133	
EMBLEM,L.H SIDE COVER (Ref # 30)	56018-134	
NUT,LOCK,3MM (Ref # 31)	92018-005	