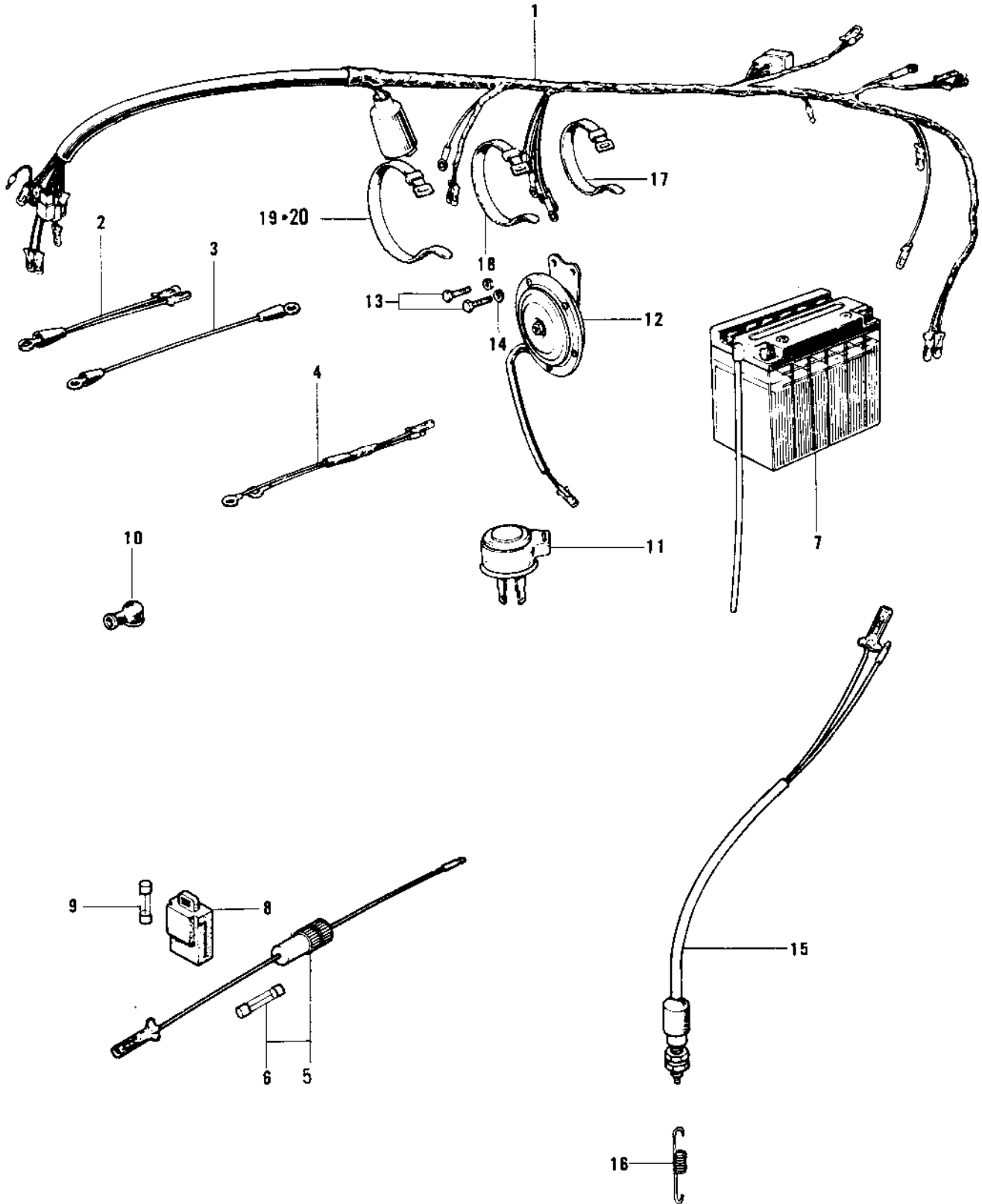


1973 Mach I PARTS DIAGRAM

CHASSIS ELECTRICAL EQUIPMENT (S1-A/B/C)



1973 Mach I PARTS LIST

CHASSIS ELECTRICAL EQUIPMENT (S1-A/B/C)

ITEM NAME	PART NUMBER	QUANTITY
WIRING HARNESS-MAIN (Ref # 1)	26001-081	1
WIRING HARNESS,MAIN (Ref # 1)	26001-106	1
WIRE BATTERY LEAD (Ref # 2)	26010-015	1
WIRE,BATTERY LEAD (Ref # 2)	26010-033	1
WIRE BATTERY GROUND (Ref # 3)	26010-017	1
WIRE-SIGNAL LAMP LEAD (Ref # 4)	26011-064	1
FUSE ASSY (Ref # 5)	26004-015	1
FUSE ASSY (Ref # 5)	26004-013	1
FUSE-20A (Ref # 6)	26006-005	1
FUSE 20A (Ref # 6)	26006-002	1
FB BAT 12N5.5-4A (Ref # 7)	26012-022	1
HOLDER-SPARE FUSE (Ref # 8)	26016-004	1
HOLDER,SPARE FUSE (Ref # 8)	26016-002	1
FUSE-20A (Ref # 9)	26006-005	1
FUSE 20A (Ref # 9)	26006-002	1
CAP BAT TERMINAL RUBB (Ref # 10)	92073-001	1
RELAY-TURN SIGNAL (Ref # 11)	27002-011	1
HORN (Ref # 12)	27003-042	1
HORN (Ref # 12)	27003-042	1
BOLT HEX HEAD 8X16 (Ref # 13)	116B0816	2
WASHER SPRING 8MM (Ref # 14)	461F0800	2
SWITCH-BRAKE LAMP (Ref # 15)	27010-020	1
SWITCH-BRAKE LAMP (Ref # 15)	27010-015	1
SPRING-BRAKE LAMP SW (Ref # 16)	27011-013	1
BAND,SHORT (Ref # 17)	92072-030	5
BAND,MIDDLE (Ref # 18)	92072-031	1
BAND,MIDDLE (Ref # 18)	92072-031	3
BAND,LONG (Ref # 19)	92072-032	1
BAND,WIRING HARNESS (Ref # 20)	92072-056	2