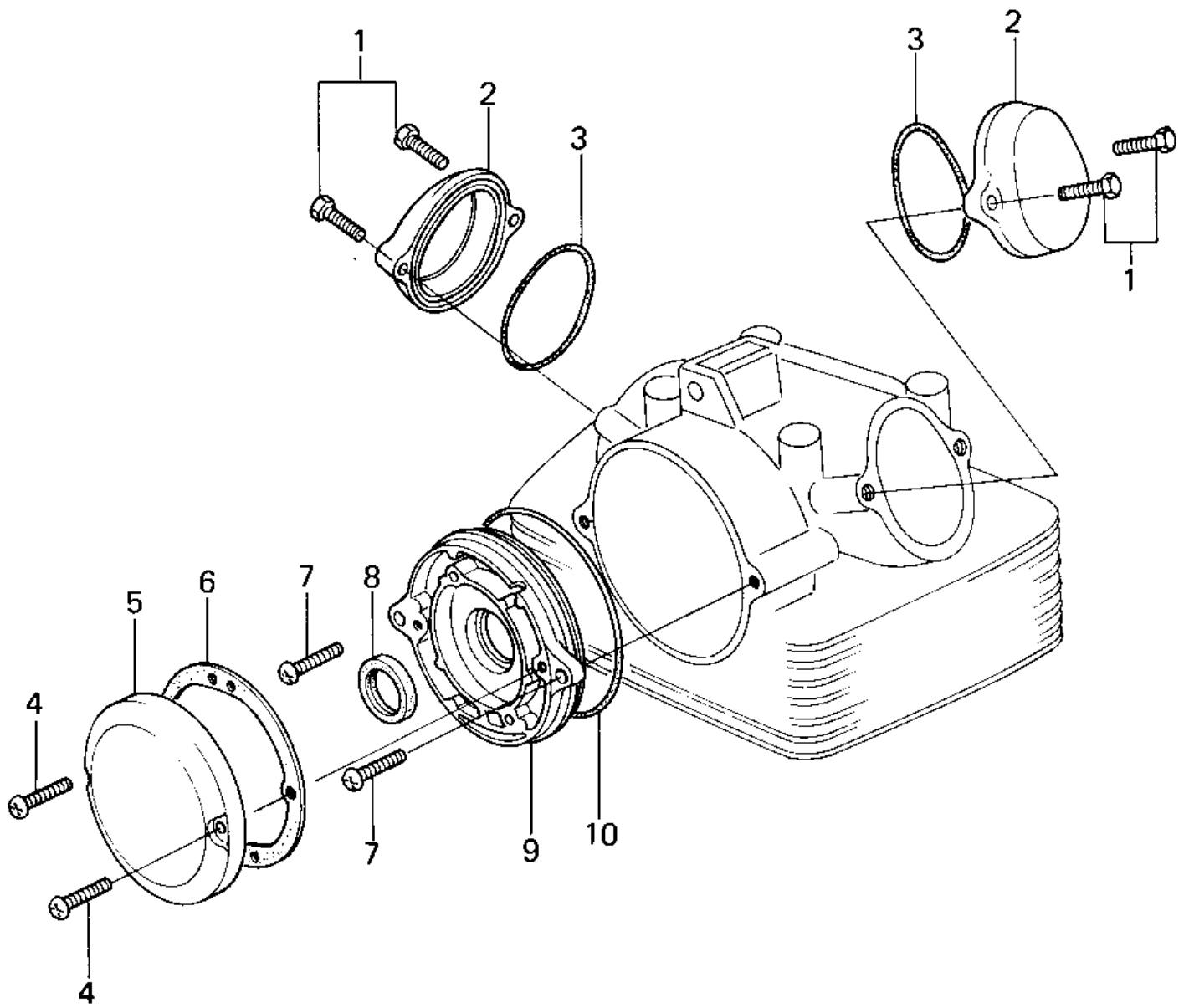


1979 KLR250 PARTS DIAGRAM

CYLINDER HEAD COVERS



1979 KLR250 PARTS LIST

CYLINDER HEAD COVERS

| ITEM NAME | PART NUMBER | QUANTITY |
|---------------------------------|--------------|----------|
| BOLT,FLANGED,6X25 (Ref # 1) | 130G0625 | 4 |
| CAP,ROCKER ARM (Ref # 2) | 11027-004-2H | 2 |
| "O" RING,53.5MM (Ref # 3) | 92055-112 | 2 |
| SCREW PAN HEAD 6X25 (Ref # 4) | 220B0625 | 2 |
| CAP,CONTACT BREAKER (Ref # 5) | 14027-022-2H | 1 |
| GASKET,CONTACT BREAKR (Ref # 6) | 14050-012 | 1 |
| SCREW PAN HEAD 6X25 (Ref # 7) | 220B0625 | 2 |
| OIL SEAL (Ref # 8) | 92050-079 | 1 |
| COVER,CONTACT BREAKER (Ref # 9) | 21136-010 | 1 |
| "O" RING,99M/M (Ref # 10) | 92055-107 | 1 |