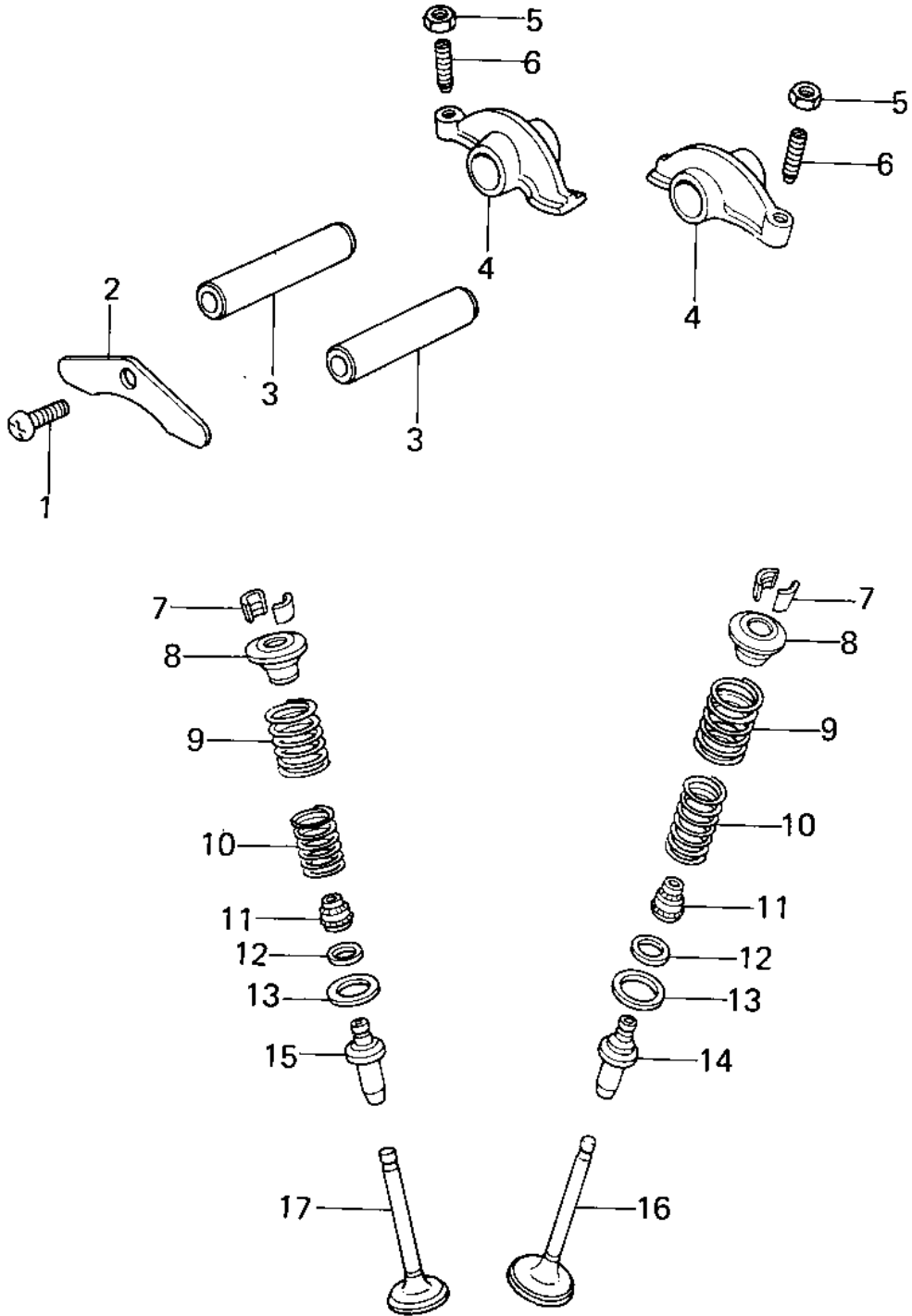


1978 KLR250 PARTS DIAGRAM

ROCKER ARMS/VALVES ('78-'79 KL250-A1/A1A)



1978 KLR250 PARTS LIST

ROCKER ARMS/VALVES ('78-'79 KL250-A1/A1A)

| ITEM NAME | PART NUMBER | QUANTITY |
|----------------------------------|-------------|----------|
| SCREW PAN HEAD 6X14 (Ref # 1) | 220B0614 | 1 |
| PLATE,POSITIONING (Ref # 2) | 14014-034 | 1 |
| SHAFT,ROCKER ARM (Ref # 3) | 12020-004 | 2 |
| ARM,ROCKER (Ref # 4) | 12016-012 | 2 |
| NUT,ROCKER ARM FITTNG (Ref # 5) | 92016-061 | 2 |
| SCREW,SLOTTED,ROCKER (Ref # 6) | 92013-009 | 2 |
| SPLIT KEEPER (Ref # 7) | 12011-004 | 4 |
| RETAINER,VALVE SPRING (Ref # 8) | 12009-006 | 2 |
| SPRING,OUTER VALVE (Ref # 9) | 12007-013 | 2 |
| SPRING,INNER VALVE (Ref # 10) | 12007-014 | 2 |
| OIL SEAL,RV37129.5 (Ref # 11) | 92049-016 | 2 |
| SEAT,VLV INNER SPRING (Ref # 12) | 12010-006 | 2 |
| SEAT,VLV OUTER SPRING (Ref # 13) | 12010-005 | 2 |
| GUIDE,INLET VALVE (Ref # 14) | 12013-003 | 1 |
| GUIDE,EXHAUST VALVE (Ref # 15) | 49002-1010 | 1 |
| VALVE,INLET (Ref # 16) | 12004-018 | 1 |
| VALVE,EXHAUST (Ref # 17) | 12005-010 | 1 |