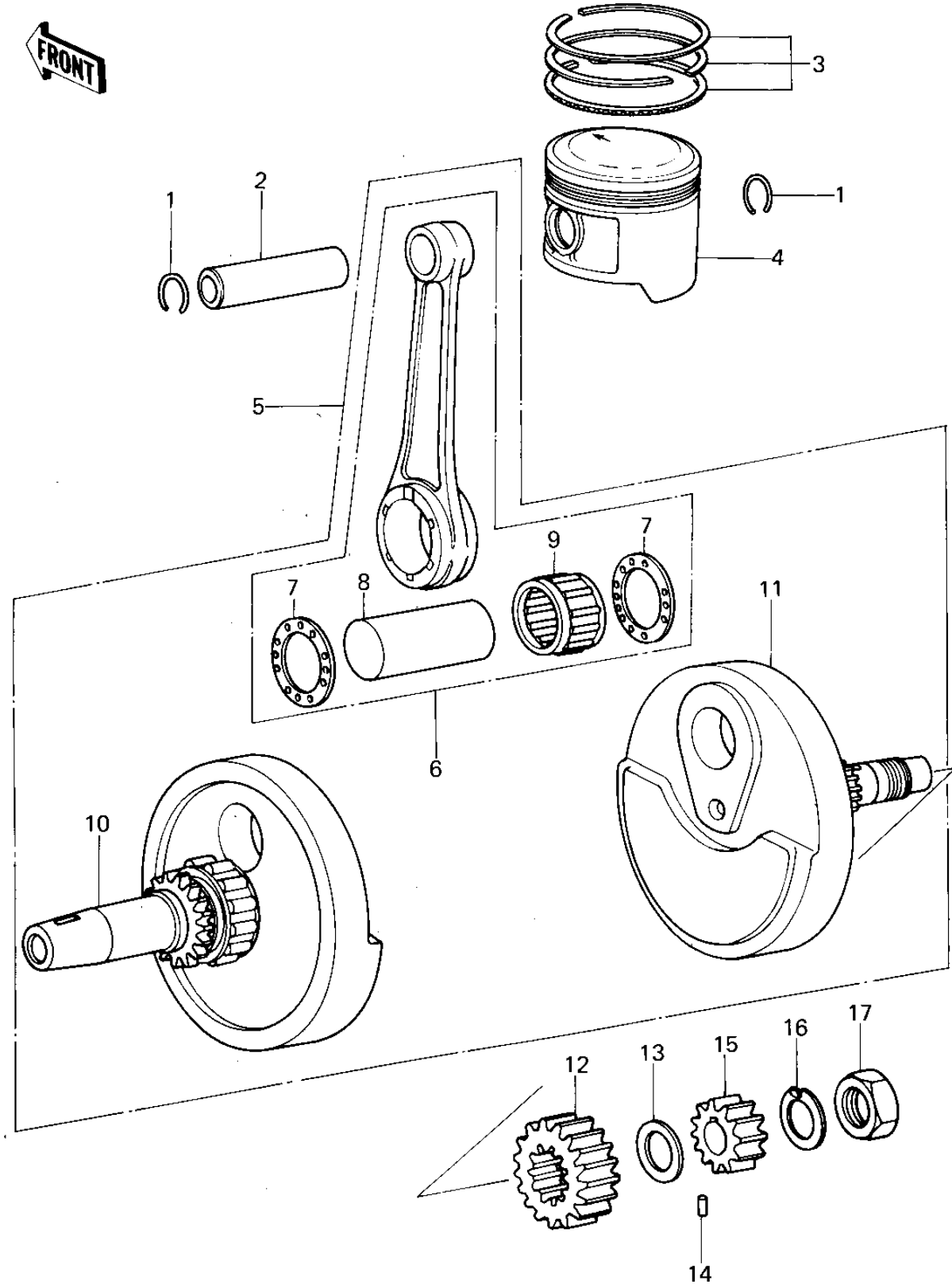


1979 KLR250 PARTS DIAGRAM

CRANKSHAFT/PISTON ('78-'79 KL250-A1/A1A/



1979 KLR250 PARTS LIST

CRANKSHAFT/PISTON ('78-'79 KL250-A1/A1A/

ITEM NAME	PART NUMBER	QUANTITY
CIRCLIP,PISTON PIN (Ref # 1)	92036-021	2
PIN-PISTON (Ref # 2)	13002-022	1
RING SET,STD (Ref # 3)	13008-5012	1
RING SET,0.020"O/S (Ref # 3)	13025-5007	(1
RING SET,0.040"O/S (Ref # 3)	13024-5008	(1
PISTON,S.T.D (Ref # 4)	13001-1005	1
PISTON,0.020 O/S (Ref # 4)	13029-1003	(1
PISTON,0.040 O/S (Ref # 4)	13027-1005	(1
CRANK-CONROD ASSY (Ref # 5)	13031-1001	1
CONNECTING ROD SET (Ref # 6)	13044-5005	1
SPACER,CONNECTING ROD (Ref # 7)	92026-087	2
PIN,CRANK (Ref # 8)	13035-035	1
BRG,NEEDLE PK293921.4 (Ref # 9)	13034-031	1
CRANKSHAFT,L.H. (Ref # 10)	13037-5002	1
CRANKSHAFT,R.H. (Ref # 11)	13037-1003	1
GEAR,PRIMARY (Ref # 12)	13121-035	1
WASHER-THRUST (Ref # 13)	92022-170	1
PIN DOWEL 3X12 (Ref # 14)	551A0312	1
GEAR,OIL PUMP (Ref # 15)	16084-018	1
UNAVAILABLE IN PRICE BOOK (Ref # 16)	420B 1611	1
NUT 16MM (Ref # 17)	315B1600	1