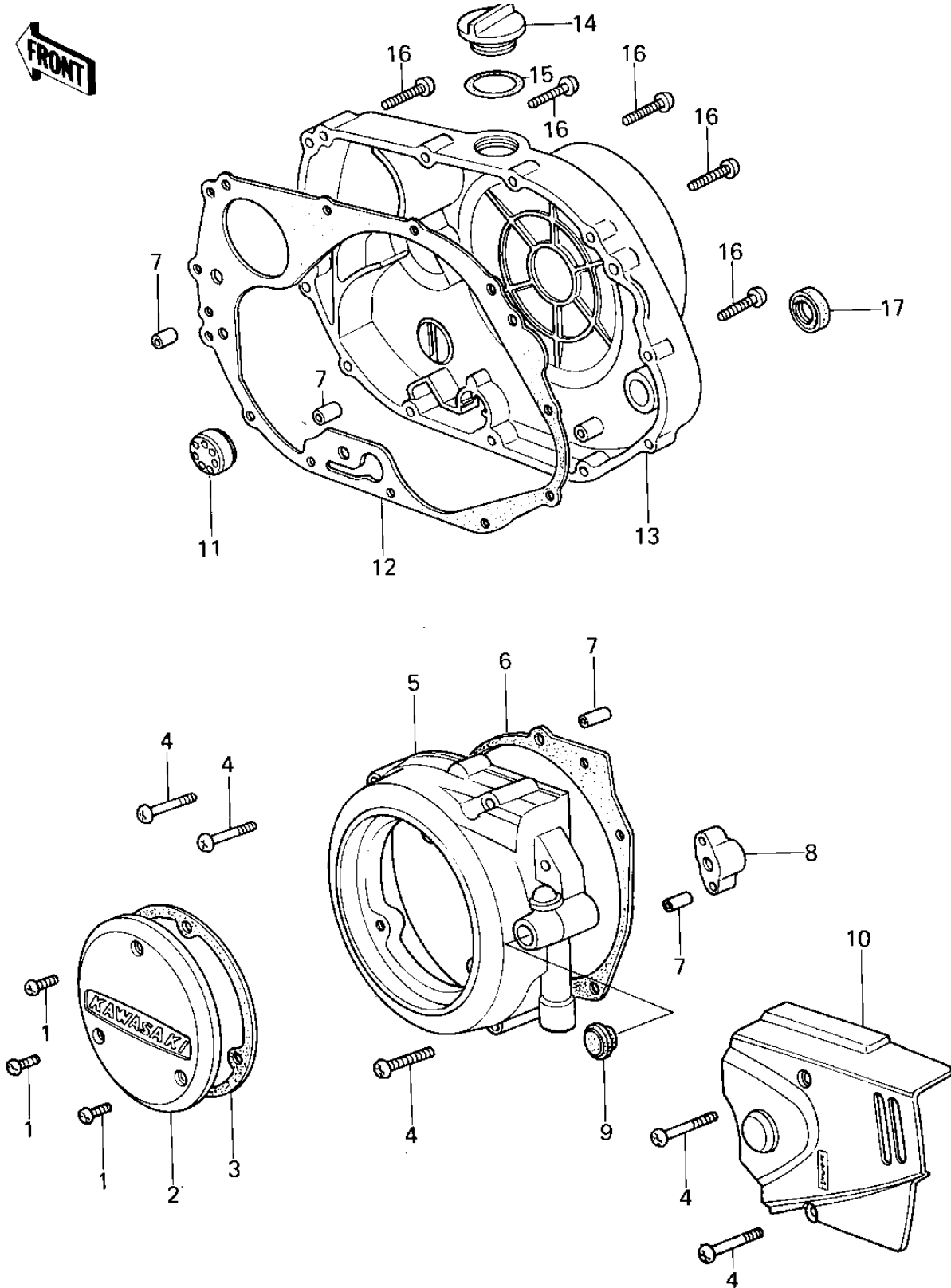


1979 KLR250 PARTS DIAGRAM

ENGINE COVERS (78-79 KL250-A1/A1A/A2)



1979 KLR250 PARTS LIST

ENGINE COVERS ('78-'79 KL250-A1/A1A/A2)

ITEM NAME	PART NUMBER	QUANTITY
SCREW PAN HEAD 6X14 (Ref # 1)	220B0614	3
COVER,GENERATOR (Ref # 2)	14025-1108	1
GASKET,DYNAMO COVER (Ref # 3)	11009-1010	1
SCREW PAN HEAD 6X40 (Ref # 4)	220B0640	7
COVER,L.H,ENGINE (Ref # 5)	14031-1003-2H	1
GASKET,L.H,ENGINE COV (Ref # 6)	11009-1009	1
PIN-DOWEL (Ref # 7)	92042-007	4
COLLAR,PUSH ROD (Ref # 8)	92027-1467	1
PLUG (Ref # 9)	92066-065	1
COVER,CHAIN (Ref # 10)	14026-1003-2H	1
GAUGE,OIL LEVEL (Ref # 11)	52015-004	1
GASKET,ENGINE COV,RH (Ref # 12)	11009-1235	1
COVER,R.H ENGINE (Ref # 13)	14032-5003	1
PLUG,OIL FILLER (Ref # 14)	16115-013	1
"O" RING,31MM (Ref # 15)	92055-049	1
SCREW PAN HEAD 6X30 (Ref # 16)	220B0630	12
OIL SEAL (Ref # 17)	92050-078	1