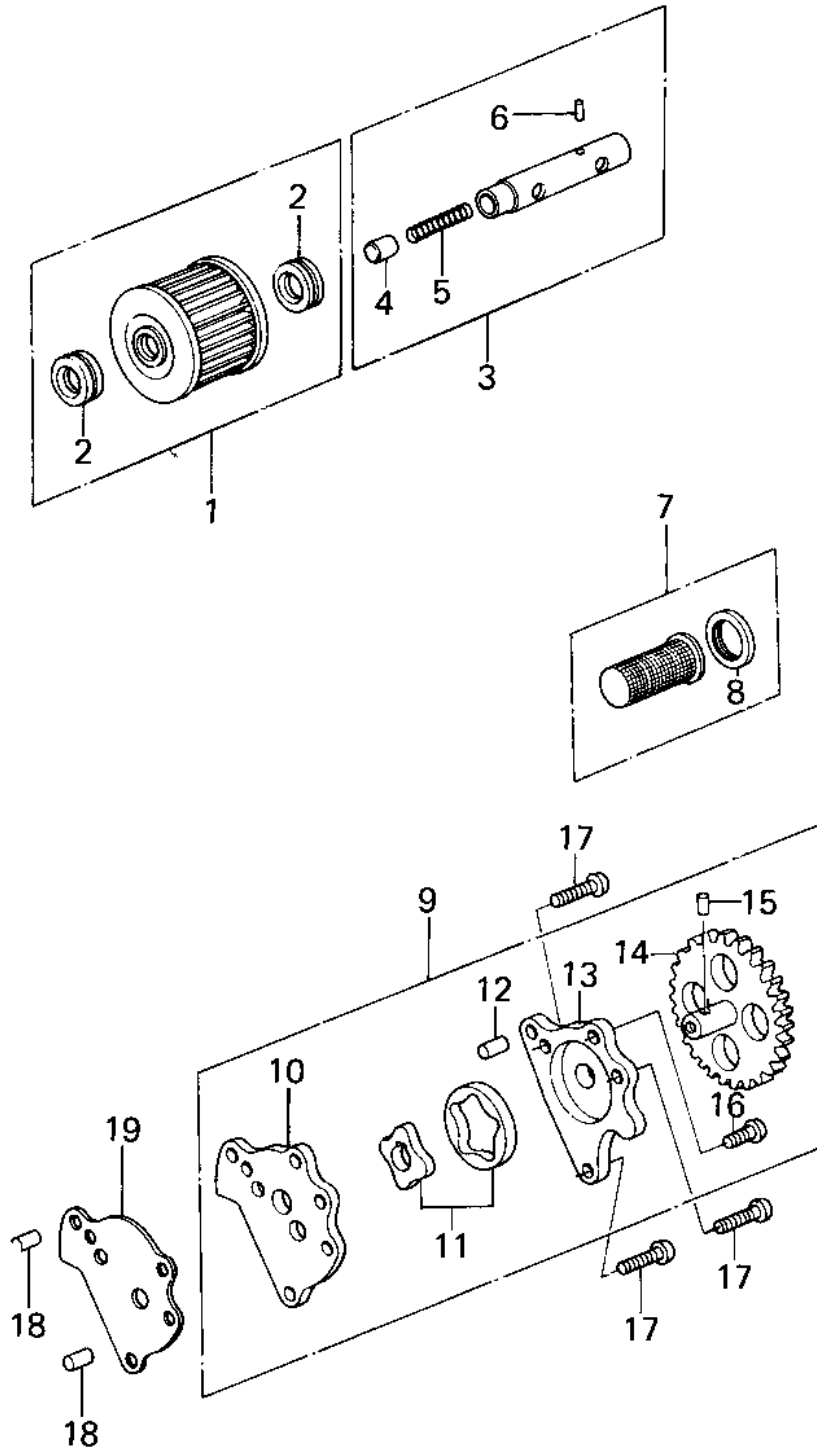


1979 KLR250 PARTS DIAGRAM

OIL PUMP/OIL FILTER ('78-'79 KL250-A1/A1)



1979 KLR250 PARTS LIST

OIL PUMP/OIL FILTER ('78-'79 KL250-A1/A1)

ITEM NAME	PART NUMBER	QUANTITY
FILTER,OIL (Ref # 1)	16099-004	1
GROMMET,OIL FILTER (Ref # 2)	92071-101	2
BOLT ASSY,OIL FILTER (Ref # 3)	16156-002	1
PISTON (Ref # 4)	92136-002	1
SPRING,PISTON (Ref # 5)	92081-043	1
SPRING PIN (Ref # 6)	92043-123	1
STRAINER ASSY,OIL (Ref # 7)	16097-1001	1
GROMMET,OIL STRAINER (Ref # 8)	92071-100	1
OIL PUMP ASSY (Ref # 9)	16082-066	1
BODY,OIL PUMP (Ref # 10)	16141-006	1
ROTOR,OIL PUMP (Ref # 11)	16154-5001	1
PIN,DOWEL,6X8 (Ref # 12)	551A0608	1
COVER,OIL PUMP (Ref # 13)	16142-006	1
GEAR,OIL PUMP (Ref # 14)	16085-026	1
PIN,DOWEL (Ref # 15)	92042-041	1
SCREW PAN HEAD 6X14 (Ref # 16)	220B0614	1
SCREW PAN HEAD 6X25 (Ref # 17)	220B0625	3
PIN,DOWEL,6X8 (Ref # 18)	551A0608	2
GASKET,OIL PUMP (Ref # 19)	11060-1115	1