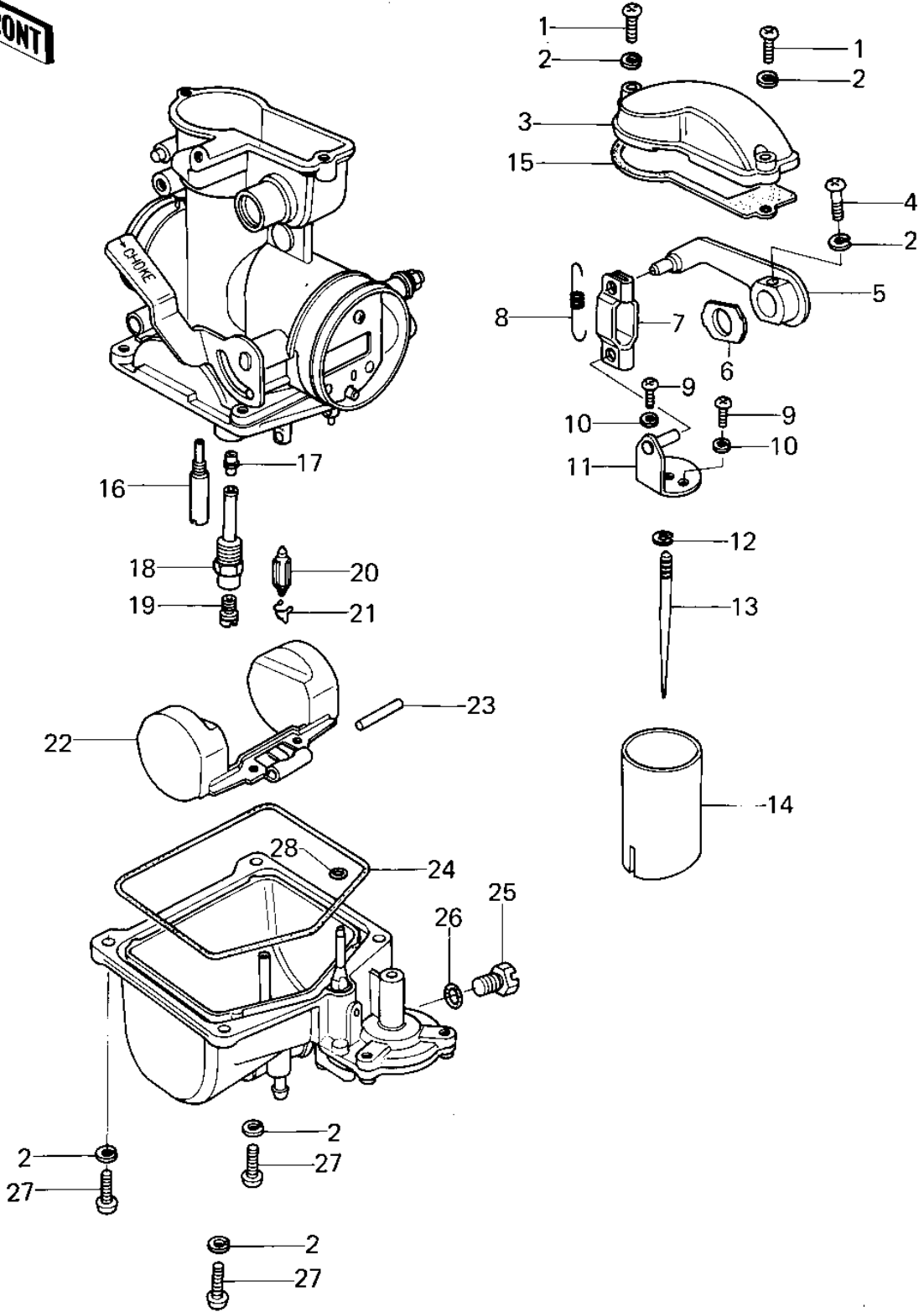


1978 KLR250 PARTS DIAGRAM

CARBURETOR PARTS ('78-'79 KL250-A1/A1A/A)



1978 KLR250 PARTS LIST

CARBURETOR PARTS ('78-'79 KL250-A1/A1A/A

ITEM NAME	PART NUMBER	QUANTITY
SCREW-PAN-CRROSS,4X12 (Ref # 1)	220B0412	2
WASHER SPRING 4MM (Ref # 2)	461F0400	7
WASHER SPRING 4MM (Ref # 2)	461F0400	6
TOP,MIXING CHAMBER (Ref # 3)	16005-1004	1
SCREW,4M/M (Ref # 4)	92009-1030	1
LEVER,LINK (Ref # 5)	13168-1016	1
COLLAR (Ref # 6)	92027-1080	1
ARM,LINK (Ref # 7)	21083-1002	1
SPRING,TENTION (Ref # 8)	92081-1057	1
SCREW PAN HEAD 3X8 (Ref # 9)	220B0308	2
WASHER SPRING 3MM (Ref # 10)	461F0300	2
PLATE,VALVE (Ref # 11)	13169-1094	1
CIRCLIP,JET NEEDLE (Ref # 12)	92037-1039	1
JET NEEDLE,#272011 (Ref # 13)	16009-1008	1
JET NEEDLE,F2352G (Ref # 13)	16009-1020	1
VALVE,THROTTLE,C.A2.5 (Ref # 14)	16025-1007	1
VALVE,THROTTLE,CA3.0 (Ref # 14)	16025-1023	1
GASKET,TOP CHAMBER (Ref # 15)	11009-1047	1
PILOT JET,#38 (Ref # 16)	92064-1004	1
PILOT JET,#40 (Ref # 16)	92064-1016	1
NEEDLE JET (Ref # 17)	16017-1010	1
HOLDER,NEEDLE JET (Ref # 18)	13091-1014	1
HOLDER,NEEDLE JET (Ref # 18)	13091-1031	1
MAIN JET,#140 (Ref # 19)	92063-1013	1
MAIN JET,#135 (Ref # 19)	92063-1014	1
MAIN JET,#138 (Ref # 19)	92063-1015	(1
MAIN JET,#142 (Ref # 19)	92063-1016	(1
MAIN JET,#145 (Ref # 19)	92063-1017	(1
FLOAT VALVE (Ref # 20)	16030-1007	1

1978 KLR250 PARTS LIST

CARBURETOR PARTS ('78-'79 KL250-A1/A1A/A)

ITEM NAME	PART NUMBER	QUANTITY
CLIP,FLOAT VALVE (Ref # 21)	16044-007	1
FLOAT (Ref # 22)	16031-1001	1
FLOAT PIN (Ref # 23)	92043-1002	1
"O" RING,FLOAT BALL (Ref # 24)	16019-024	1
SCREW,DRAIN (Ref # 25)	92009-1003	1
"O" RING,DRAIN SCREW (Ref # 26)	92055-1003	1
SCREW-PAN-CROS (Ref # 27)	220B0414	4
SCREW-PAN-CROS (Ref # 27)	220B0414	3
"O" RING (Ref # 28)	92055-1026	1