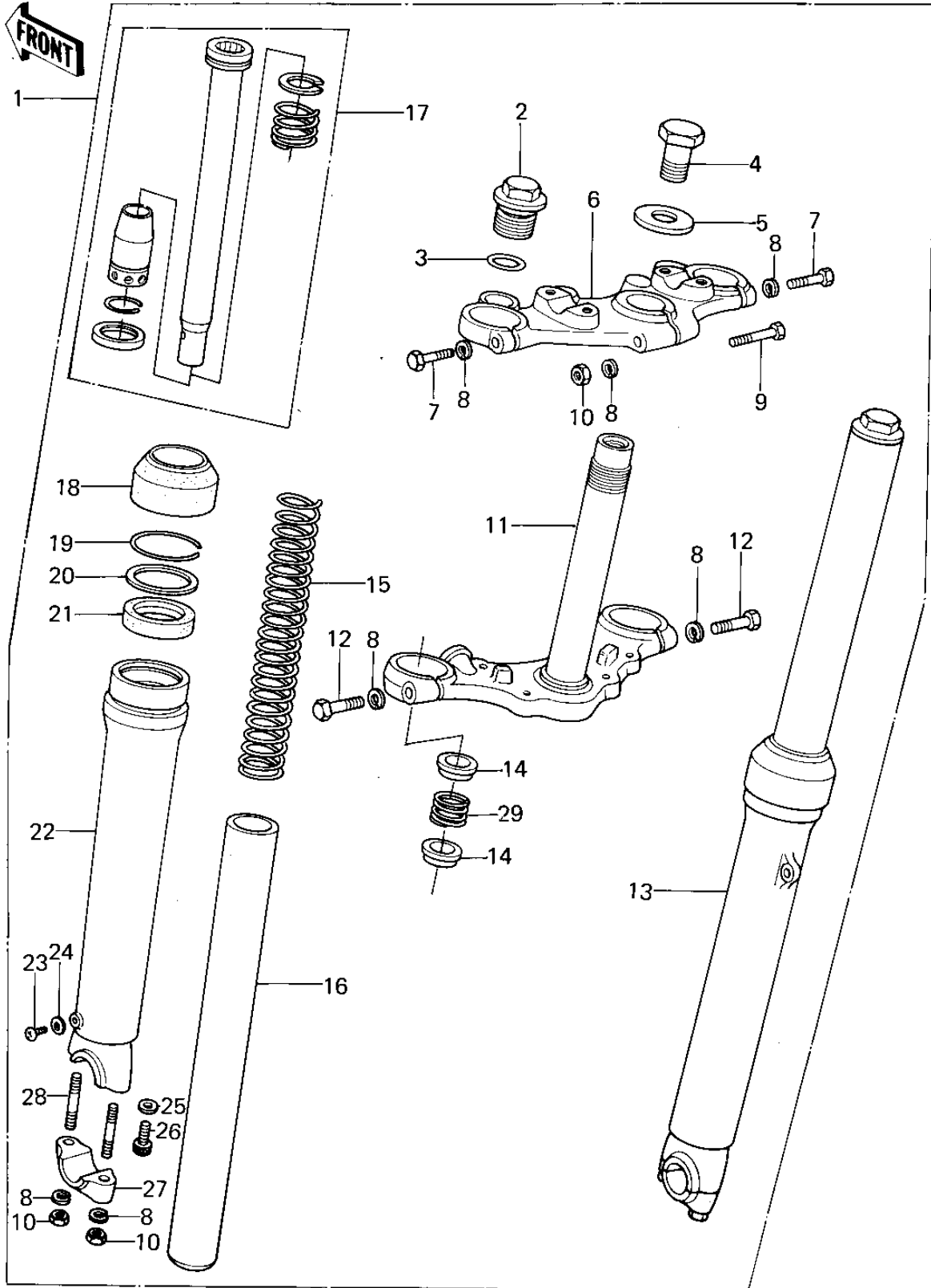


1978 KLR250 PARTS DIAGRAM

FRONT FORK (78-79 KL250-A1/A1A/A2)



1978 KLR250 PARTS LIST

FRONT FORK ('78-'79 KL250-A1/A1A/A2)

ITEM NAME	PART NUMBER	QUANTITY
FORK-FRONT (Ref # 1)	44001-1697	1
FORK-FRONT (Ref # 1)	44001-1697	1
FORK-FRONT (Ref # 1)	44001-1697	1
BOLT,FORK TOP (Ref # 2)	44062-010	2
"O" RING,FORK TOP (Ref # 3)	92055-1012	2
BOLT STRNG STEM HEAD (Ref # 4)	44041-007	1
WASHER STRNG STEM HD (Ref # 5)	44043-016	1
HEAD,STEERING STEM (Ref # 6)	44039-080	1
HEAD,STEERING STEM (Ref # 6)	44039-080	1
BOLT-STEERING STEM HD (Ref # 7)	44041-044	2
WASHER SPRING 8MM (Ref # 8)	461F0800	9
BOLT-STEERING STEM HD (Ref # 9)	44041-042	1
NUT,LOCK,8MM (Ref # 10)	92017-013	5
STEM,STEERING (Ref # 11)	44037-1006	1
BOLT,8X3? (Ref # 12)	92001-1076	2
TUBE,RH,FORK OUTER (Ref # 13)	44006-1007	1
GUIDE,FORK SPRING (Ref # 14)	44028-033	4
SPRING,FORK INNER,LOW (Ref # 15)	44026-1015	2
TUBE,FORK INNER (Ref # 16)	44013-1006	2
TUBE,FORK INNER (Ref # 16)	44013-1013	2
CYLINDER-FORK (Ref # 17)	44022-1010	2
CYLINDER-FORK (Ref # 17)	44022-1014	2
TUBE,FORK INNER (Ref # 16)	44013-1006	2
CYLINDER-FORK (Ref # 17)	44022-1010	2
DUST SHIELD,FORK (Ref # 18)	44010-036	2
CIRCLIP-OIL SEAL FIT (Ref # 19)	44044-012	2
WASHER-OIL SEAL FIT (Ref # 20)	44043-044	2
OIL SEAL (Ref # 21)	44009-016	2
TUBE,LH,FORK OUTER (Ref # 22)	44005-1007	1

1978 KLR250 PARTS LIST

FRONT FORK ('78-'79 KL250-A1/A1A/A2)

ITEM NAME	PART NUMBER	QUANTITY
SCREW PAN HEAD 4X8 (Ref # 23)	220B0408	2
GASKET FORK DRAIN PLG (Ref # 24)	44045-002	2
GASKET,FORK CYLINDER (Ref # 25)	44045-057	2
BOLT-FORK CYLINDER (Ref # 26)	44041-040	2
HOLDER,FRONT AXLE (Ref # 27)	44063-011	2
STUD 8X30 (Ref # 28)	172G0830	4
SPRING,FORK INNER UPP (Ref # 29)	44026-1014	2