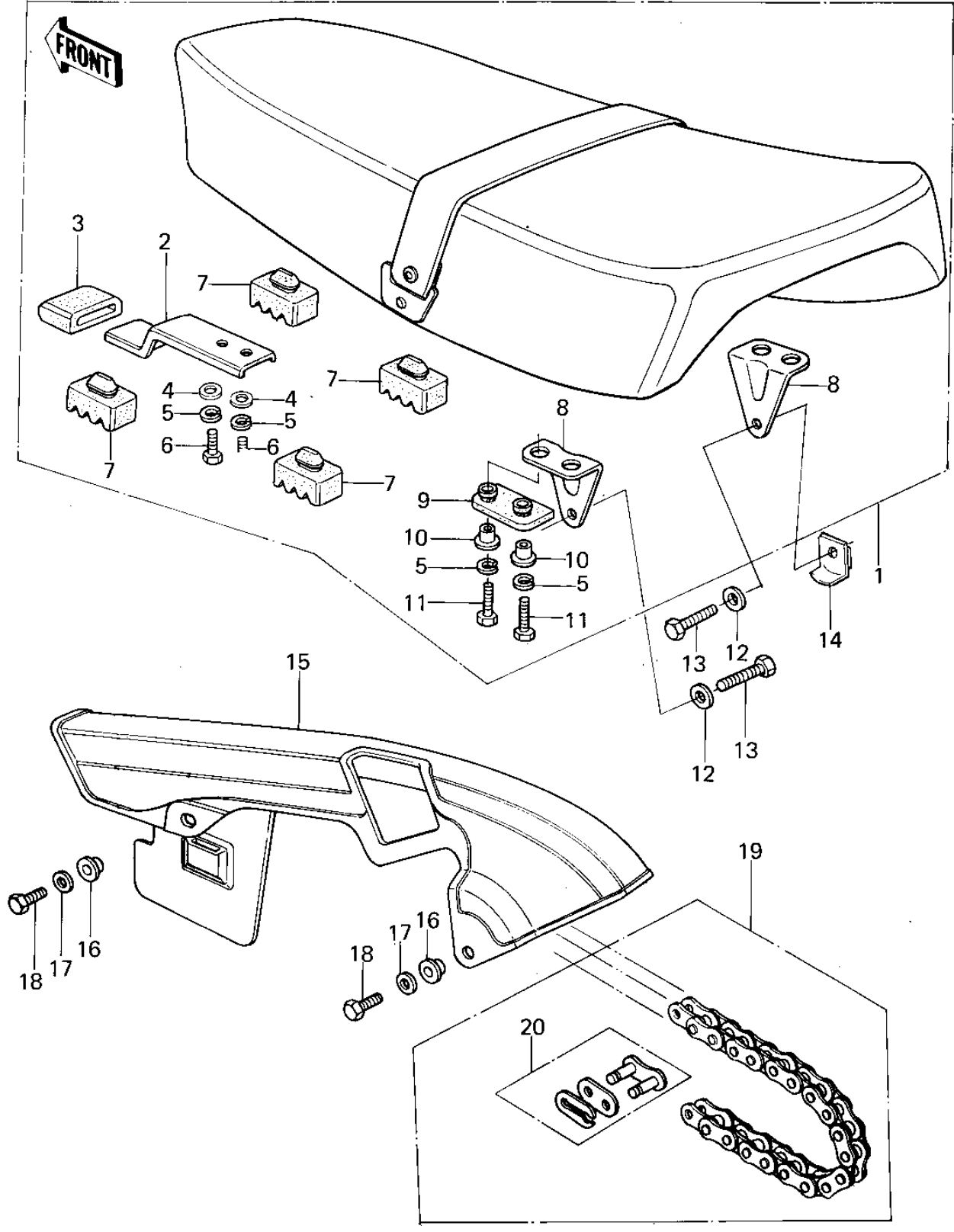


# 1979 KLR250 PARTS DIAGRAM

SEAT/CHAIN COVER/CHAIN



## 1979 KLR250 PARTS LIST

### SEAT/CHAIN COVER/CHAIN

ITEM NAME	PART NUMBER	QUANTITY
SEAT-ASSY,DUAL (Ref # 1)	53001-1030	1
SEAT-ASSY,DUAL (Ref # 1)	53001-1030	1
BRACKET,DUAL SEAT (Ref # 2)	53032-005	1
DAMPER RUBBER,SEAT (Ref # 3)	92075-219	1
WASHER PLAIN 6MM (Ref # 4)	410B0600	2
WASHER SPRING 6MM (Ref # 5)	461F0600	6
BOLT-UPSET,6X16 (Ref # 6)	112G0616	2
DAMPER,SEAT (Ref # 7)	92075-1007	4
BRACKET,SEAT (Ref # 8)	11034-1031	2
DAMPER,SEAT (Ref # 9)	92075-1039	2
COLLAR,SEAT (Ref # 10)	92027-1062	4
BOLT, HEX HEAD, 6 X 25 (Ref # 11)	110B0625	4
WASHER PLAIN 8MM (Ref # 12)	410B0800	2
BOLT,FLANGED,8X35 (Ref # 13)	92001-1577	2
NUT,8M/M,SEAT.FITTING (Ref # 14)	92015-1003	1
CASE-CHAIN (Ref # 15)	36014-1001	1
COLLAR (Ref # 16)	92027-122	2
WASHER PLAIN 6MM (Ref # 17)	410B0600	2
BOLT-UPSET 6X14 (Ref # 18)	112B0614	2
DR CHAIN 520X96 (Ref # 19)	92057-1002	1
CHAIN JOINT 520 (Ref # 20)	92058-1001	1