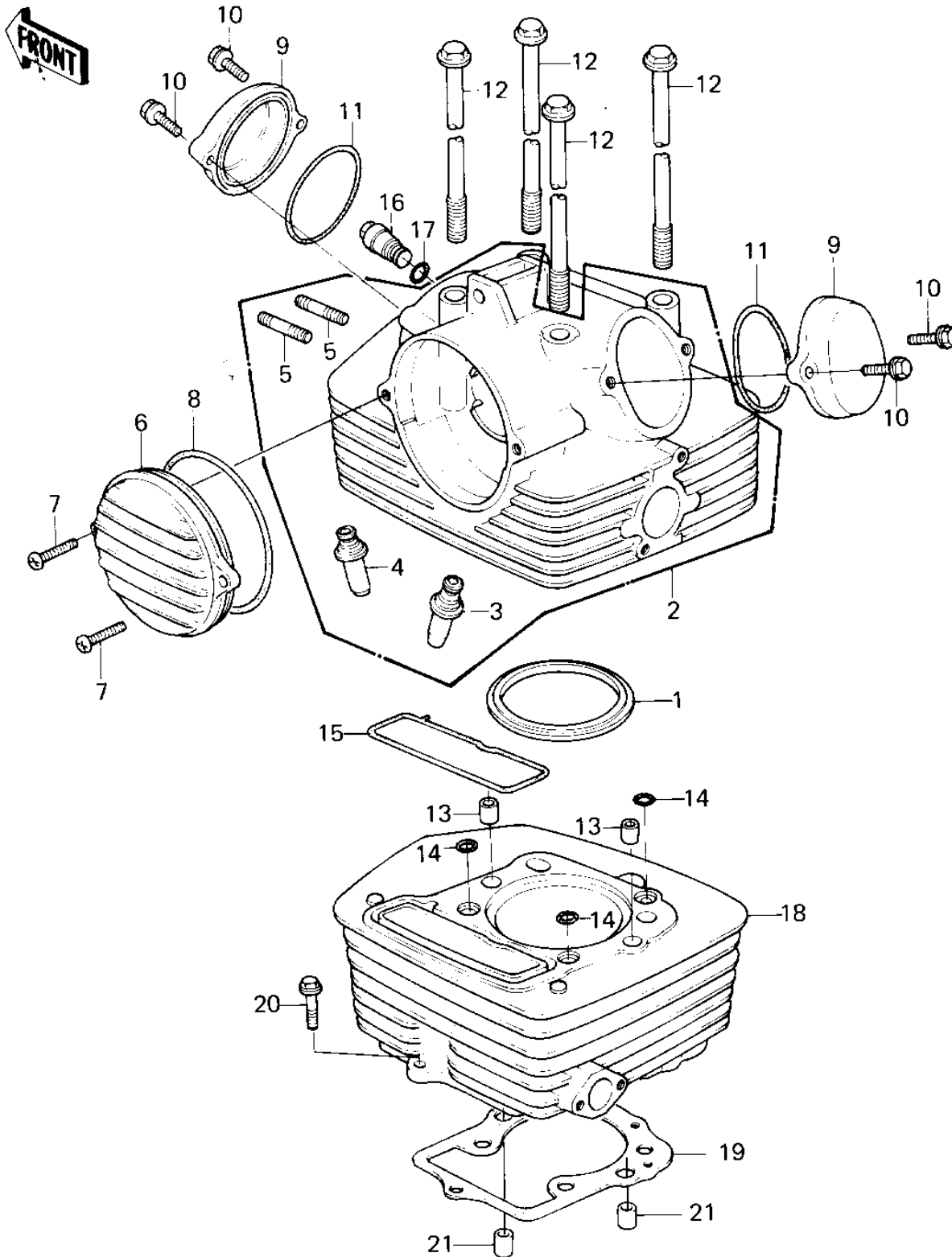


1979 KLX250 PARTS DIAGRAM

CYLINDER HEAD/CYLINDER



1979 KLX250 PARTS LIST

CYLINDER HEAD/CYLINDER

ITEM NAME	PART NUMBER	QUANTITY
GASKET,CYLINDER HEAD (Ref # 1)	11004-1002	1
HEAD ASSY,CYL,F.BLACK (Ref # 2)	11002-5015	1
GUIDE,INLET VALVE (Ref # 3)	12013-003	1
GUIDE,EXHAUST VALVE (Ref # 4)	49002-1010	1
STUD,6X27 (Ref # 5)	92004-066	2
COVER,CAM,FLAT BLACK (Ref # 6)	14025-1103	2
SCREW PAN HEAD 6X25 (Ref # 7)	220B0625	2
"O" RING,99M/M (Ref # 8)	92055-107	1
CAP,ROCKER,FLAT BLACK (Ref # 9)	11012-1078	2
BOLT,FLANGED,6X25 (Ref # 10)	130G0625	4
"O" RING,53.5MM (Ref # 11)	92055-112	2
BOLT,8X233 (Ref # 12)	92003-220	4
PIN,DOWEL,10X8.2X14 (Ref # 13)	92043-1037	2
RING-O,10MM (Ref # 14)	92055-1149	3
"O" RING (Ref # 15)	92055-105	1
PLUG,TACHOMETER GEAR (Ref # 16)	92066-060	1
RING-O,10MM (Ref # 17)	92055-1149	1
CYLINDER ASSY,F.BLACK (Ref # 18)	11006-1002	1
GASKET,CYLINDER BASE (Ref # 19)	11009-043	1
BOLT (Ref # 20)	92003-202	1
PIN,DOWEL,10X8.2X14 (Ref # 21)	92043-1037	2