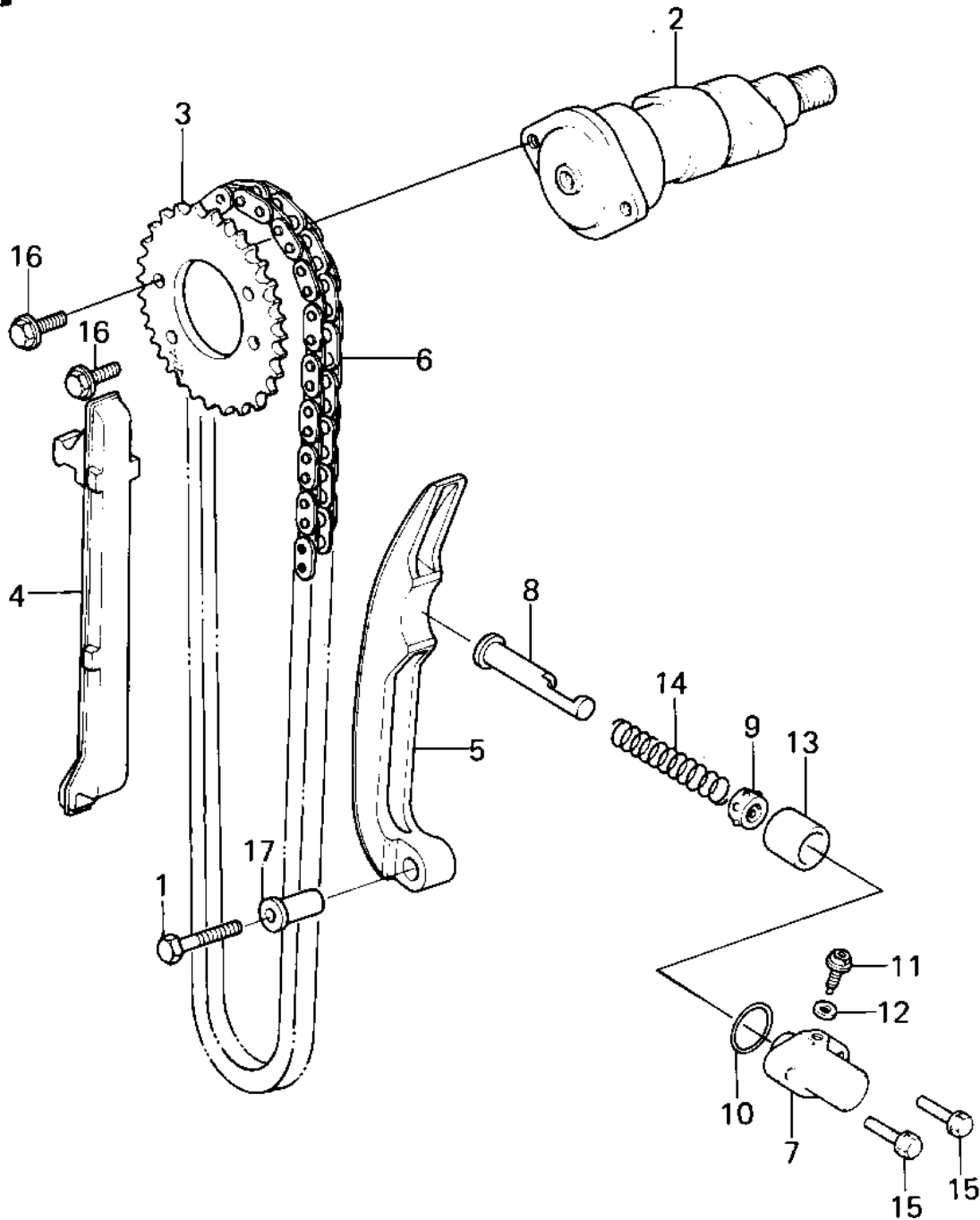


1979 KLX250 PARTS DIAGRAM

CAMSHAFT/CHAIN/TENSIONER



1979 KLX250 PARTS LIST

CAMSHAFT/CHAIN/TENSIONER

ITEM NAME	PART NUMBER	QUANTITY
BOLT-UPSET (Ref # 1)	112G0630	1
SHAFT,CAM (Ref # 2)	12044-1028	1
SPROCKET,CAM SHAFT (Ref # 3)	12046-1007	1
SLIPER,CAM CHAIN (Ref # 4)	12053-023	1
SLIPER,CAM CHAIN (Ref # 5)	12053-024	1
CHAIN,CAM (Ref # 6)	21070-013	1
TENSIONER,CAM CHAIN (Ref # 7)	12049-1008	1
ROD,PUSH,CAM CHAIN (Ref # 8)	13116-1019	1
RETAINER (Ref # 9)	14020-1002	1
"O" RING,22MM (Ref # 10)	670B2022	1
BELT,TENSIONER ADJUST (Ref # 11)	92001-1155	1
WASHER OIL PUMP BANJO (Ref # 12)	92022-077	1
COLLAR,TENSIONER (Ref # 13)	92027-1273	1
SPRING,TENSIONER (Ref # 14)	92081-1105	1
BOLT,FLANGED,6X22 (Ref # 15)	92001-1352	2
BOLT,SPROCKET FITTING (Ref # 16)	92003-208	2
COLLAR (Ref # 17)	92027-155	1