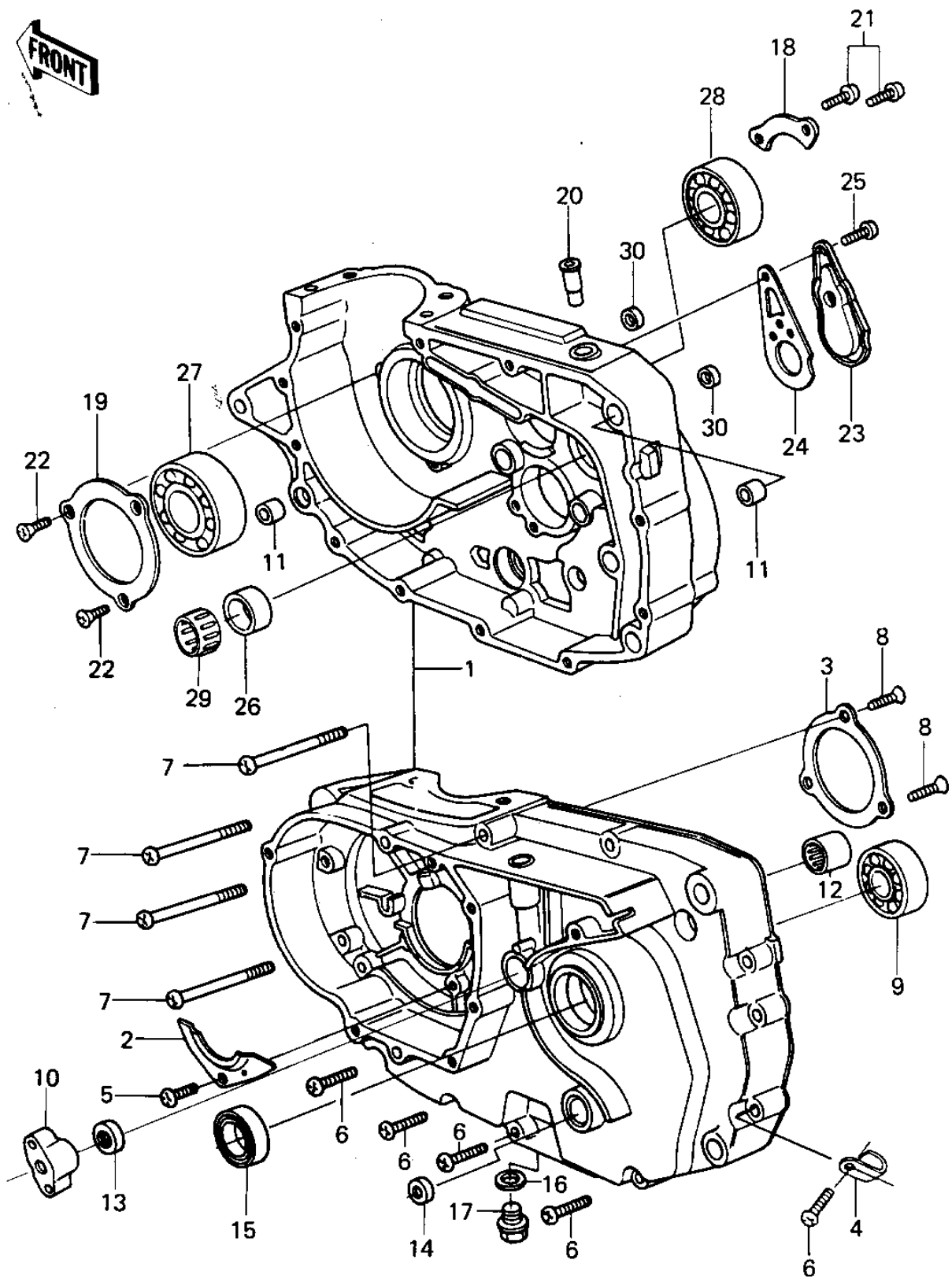


# 1979 KLX250 PARTS DIAGRAM

## CRANKCASE



# 1979 KLX250 PARTS LIST

## CRANKCASE

ITEM NAME	PART NUMBER	QUANTITY
CRANKCASE SET,F.BLACK (Ref # 1)	14001-5034	1
PLATE,POSITIONING (Ref # 2)	14014-035	1
PLATE,POSITIONING (Ref # 3)	14014-1004	1
CLAMP,WIRING HARNESS (Ref # 4)	21126-008	1
SCREW PAN HEAD 6X14 (Ref # 5)	220B0614	1
SCREW PAN HEAD 6X30 (Ref # 6)	220B0630	8
SCREW PAN HEAD 6X75 (Ref # 7)	220B0675	4
SCREW CNTSNK HD 6X16 (Ref # 8)	221B0616	3
BEARING BALL #6205 (Ref # 9)	601B6205	1
COLLAR,PUSH ROD (Ref # 10)	92027-1467	1
PIN,DOWEL,14MM (Ref # 11)	92042-032	2
BRG,NEEDLE,HMK1515B (Ref # 12)	92046-060	1
OIL SEAL,PUSH ROD (Ref # 13)	92050-077	1
OIL SEAL,CHANGE SHAFT (Ref # 14)	92050-082	1
SEAL-OIL,TC32457 (Ref # 15)	92049-1159	1
GASKET,DRIN PLUG (Ref # 16)	92065-097	1
PLUG,OIL DRAIN,12X15 (Ref # 17)	92066-1174	1
PLATE,POSITIONING (Ref # 18)	14014-037	1
PLATE,POSITIONING (Ref # 19)	14014-1004	1
BREATHER JOINT (Ref # 20)	14067-006	1
SCREW PAN HEAD 6X14 (Ref # 21)	220B0614	2
SCREW CNTSNK HD 6X16 (Ref # 22)	221B0616	3
CAP (Ref # 23)	16078-002	1
GASKET (Ref # 24)	16079-002	1
SCREW PAN HEAD 6X14 (Ref # 25)	220B0614	1
BUSHING (Ref # 26)	92028-132	1
BEARING,BALL,#6306 (Ref # 27)	92045-037	1
BEARING,BALL#6006 (Ref # 28)	92045-038	1
BEARING-NEEDLE (Ref # 29)	92046-1184	1