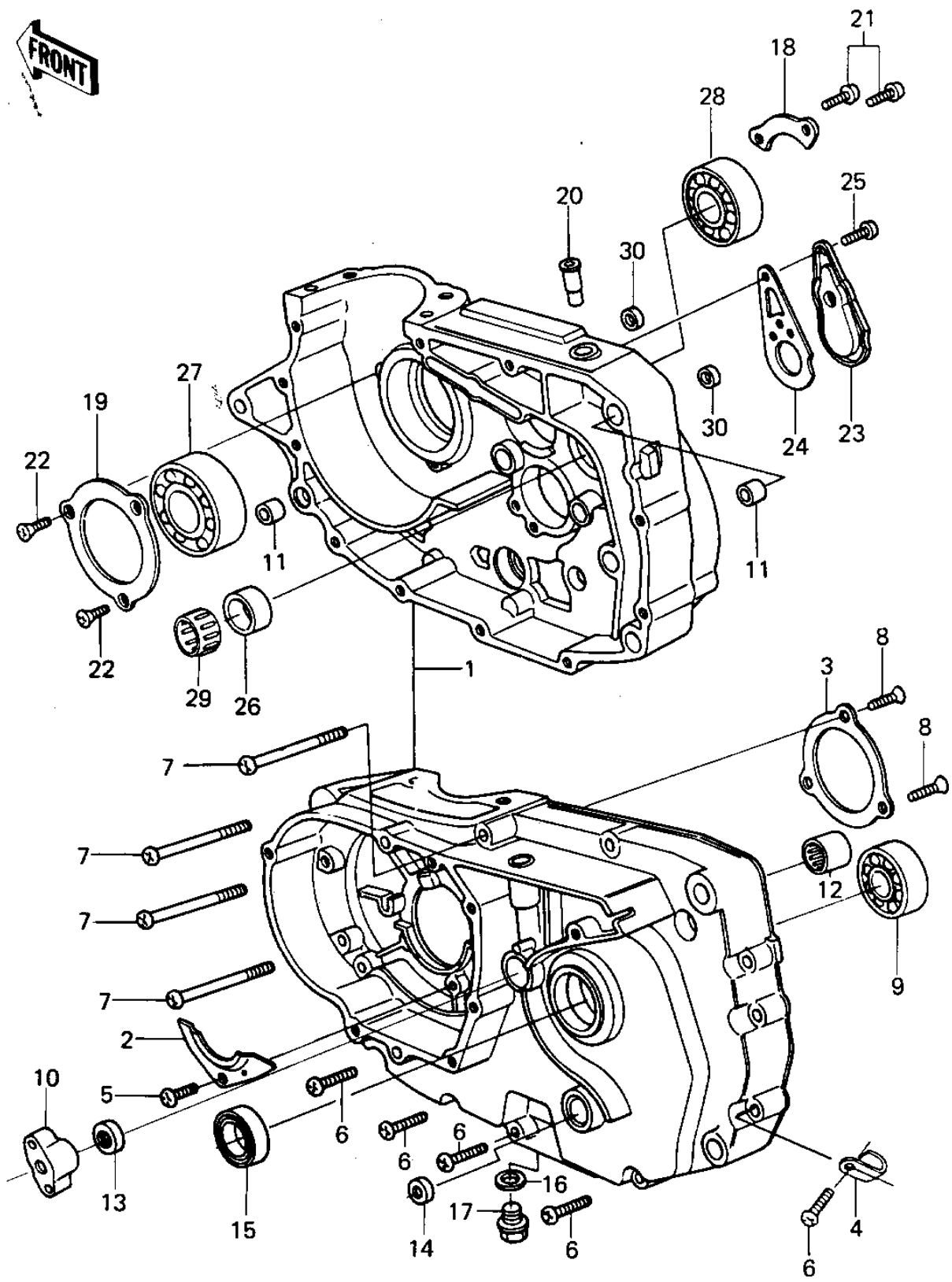


# 1980 KLX250 PARTS DIAGRAM

## CRANKCASE



# 1980 KLX250 PARTS LIST

## CRANKCASE

| ITEM NAME                        | PART NUMBER | QUANTITY |
|----------------------------------|-------------|----------|
| CRANKCASE SET,F.BLACK (Ref # 1)  | 14001-5034  |          |
| PLATE,POSITIONING (Ref # 2)      | 14014-035   |          |
| PLATE,POSITIONING (Ref # 3)      | 14014-1004  |          |
| CLAMP,WIRING HARNESS (Ref # 4)   | 21126-008   |          |
| SCREW PAN HEAD 6X14 (Ref # 5)    | 220B0614    |          |
| SCREW PAN HEAD 6X30 (Ref # 6)    | 220B0630    |          |
| SCREW PAN HEAD 6X75 (Ref # 7)    | 220B0675    |          |
| SCREW CNTSNK HD 6X16 (Ref # 8)   | 221B0616    |          |
| BEARING BALL #6205 (Ref # 9)     | 601B6205    |          |
| COLLAR,PUSH ROD (Ref # 10)       | 92027-1467  |          |
| PIN,DOWEL,14MM (Ref # 11)        | 92042-032   |          |
| BRG,NEEDLE,HMK1515B (Ref # 12)   | 92046-060   |          |
| OIL SEAL,PUSH ROD (Ref # 13)     | 92050-077   |          |
| OIL SEAL,CHANGE SHAFT (Ref # 14) | 92050-082   |          |
| SEAL-OIL,TC32457 (Ref # 15)      | 92049-1159  |          |
| GASKET,DRIN PLUG (Ref # 16)      | 92065-097   |          |
| PLUG,OIL DRAIN,12X15 (Ref # 17)  | 92066-1174  |          |
| PLATE,POSITIONING (Ref # 18)     | 14014-037   |          |
| PLATE,POSITIONING (Ref # 19)     | 14014-1004  |          |
| BREATHER JOINT (Ref # 20)        | 14067-006   |          |
| SCREW PAN HEAD 6X14 (Ref # 21)   | 220B0614    |          |
| SCREW CNTSNK HD 6X16 (Ref # 22)  | 221B0616    |          |
| CAP (Ref # 23)                   | 16078-002   |          |
| GASKET (Ref # 24)                | 16079-002   |          |
| SCREW PAN HEAD 6X14 (Ref # 25)   | 220B0614    |          |
| BUSHING (Ref # 26)               | 92028-132   |          |
| BEARING,BALL,#6306 (Ref # 27)    | 92045-037   |          |
| BEARING,BALL#6006 (Ref # 28)     | 92045-038   |          |
| BEARING-NEEDLE (Ref # 29)        | 92046-1184  |          |