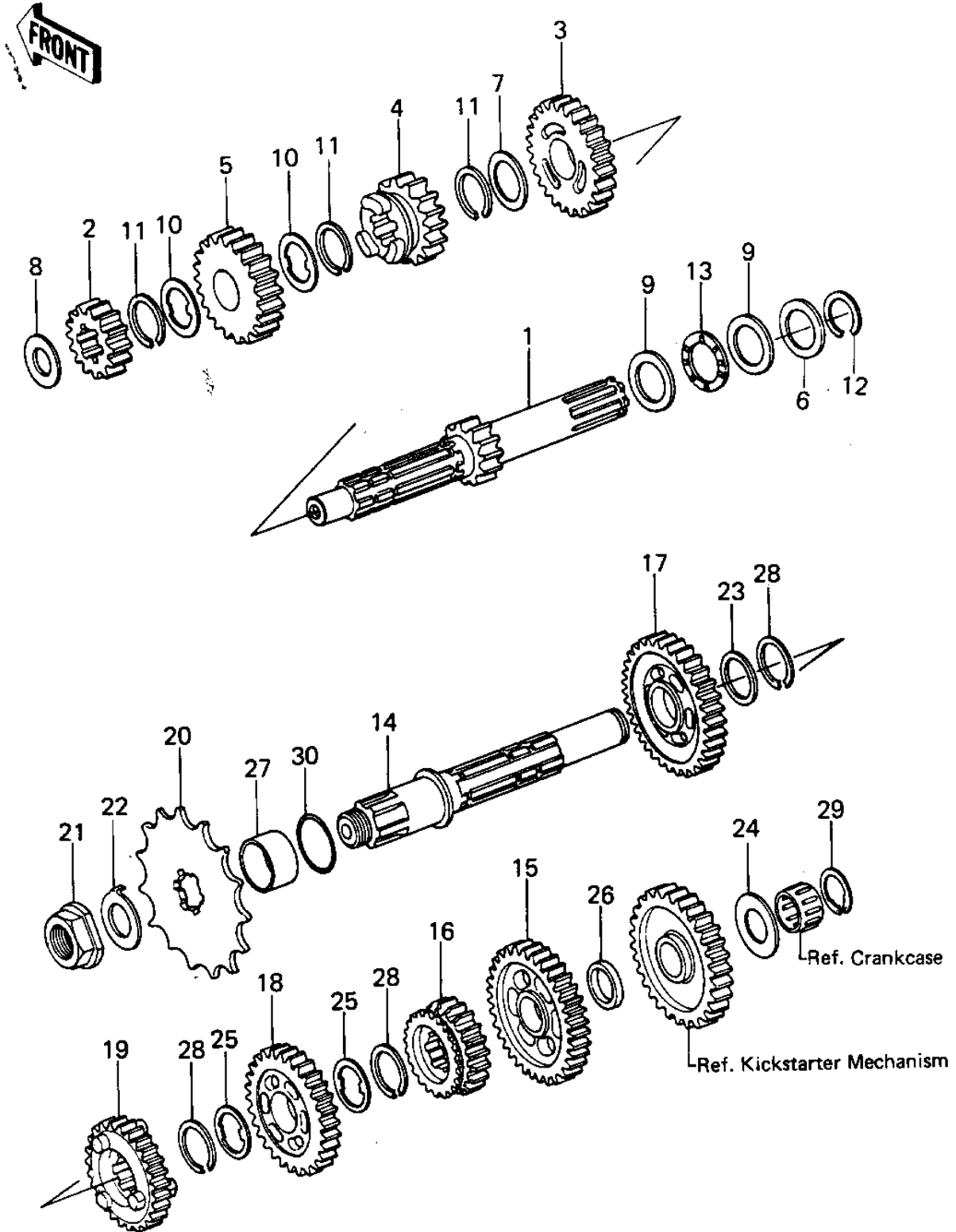


1979 KLX250 PARTS DIAGRAM

TRANSMISSION



1979 KLX250 PARTS LIST

TRANSMISSION

ITEM NAME	PART NUMBER	QUANTITY
SHAFT,DRIVE (Ref # 1)	13127-053	1
2ND GEAR,DRIVE SHAFT (Ref # 2)	13129-1022	1
TOP GEAR,DRV SHFT,24T (Ref # 3)	13129-1050	1
GEAR,INPUT,3RD,20T (Ref # 4)	13129-1284	1
4TH GEAR,DRIVE SHAFT (Ref # 5)	13134-026	1
WASHER THRUST (Ref # 6)	92022-112	1
WASHER-PLAIN (Ref # 7)	92022-198	1
WASHER,THRUST,15MM (Ref # 8)	92022-279	1
WASHER,PLAIN (Ref # 9)	92022-314	2
WASHER-LOCK (Ref # 10)	92024-039	2
CIRCLIP,25MM (Ref # 11)	92033-025	3
CIRCLIP,18MM (Ref # 12)	92033-029	1
BRG,NEEDLE,AXK1104 (Ref # 13)	92046-052	1
SHAFT,OUTPUT (Ref # 14)	13128-1007	1
LOW GEAR,OUTPUT SHAFT (Ref # 15)	13129-058	1
TOP GEAR,OUT SHFT,21T (Ref # 16)	13129-1051	1
2ND GEAR,OUTPUT 26T (Ref # 17)	13131-044	1
3RD GEAR,OUTPUT SHAFT (Ref # 18)	13133-044	1
GEAR,OUTPUT 4TH,21T (Ref # 19)	13129-1285	1
ENGINE SPROCKET,14T (Ref # 20)	13144-1005	1
ENGINE SPROCKET,13T (Ref # 20)	13144-1027	(1
ENGINE SPROCKET,15T (Ref # 20)	13144-069	(1
NUT,LOCK,16M/M (Ref # 21)	92015-1013	1
WASHER,LOCK (Ref # 22)	92022-1017	1
WASHER-PLAIN (Ref # 23)	92022-198	1
WASHER,PLAIN (Ref # 24)	92022-270	1
WASHER-LOCK (Ref # 25)	92024-039	2
SPACER (Ref # 26)	92026-114	1
COLLAR,ENGINE SPROCKT (Ref # 27)	92027-287	1