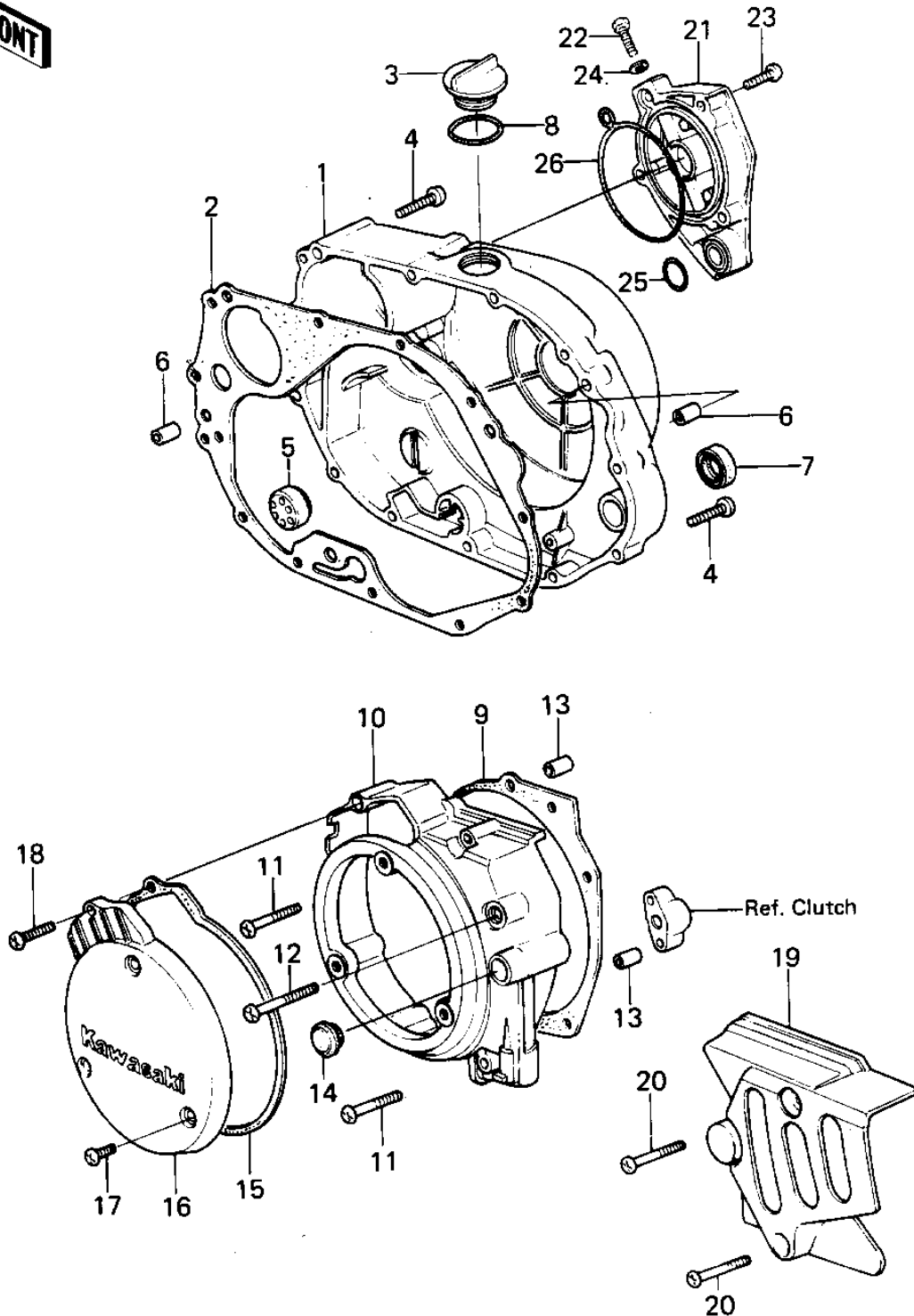


1979 KLX250 PARTS DIAGRAM

ENGINE COVERS



1979 KLX250 PARTS LIST

ENGINE COVERS

ITEM NAME	PART NUMBER	QUANTITY
-----------	-------------	----------