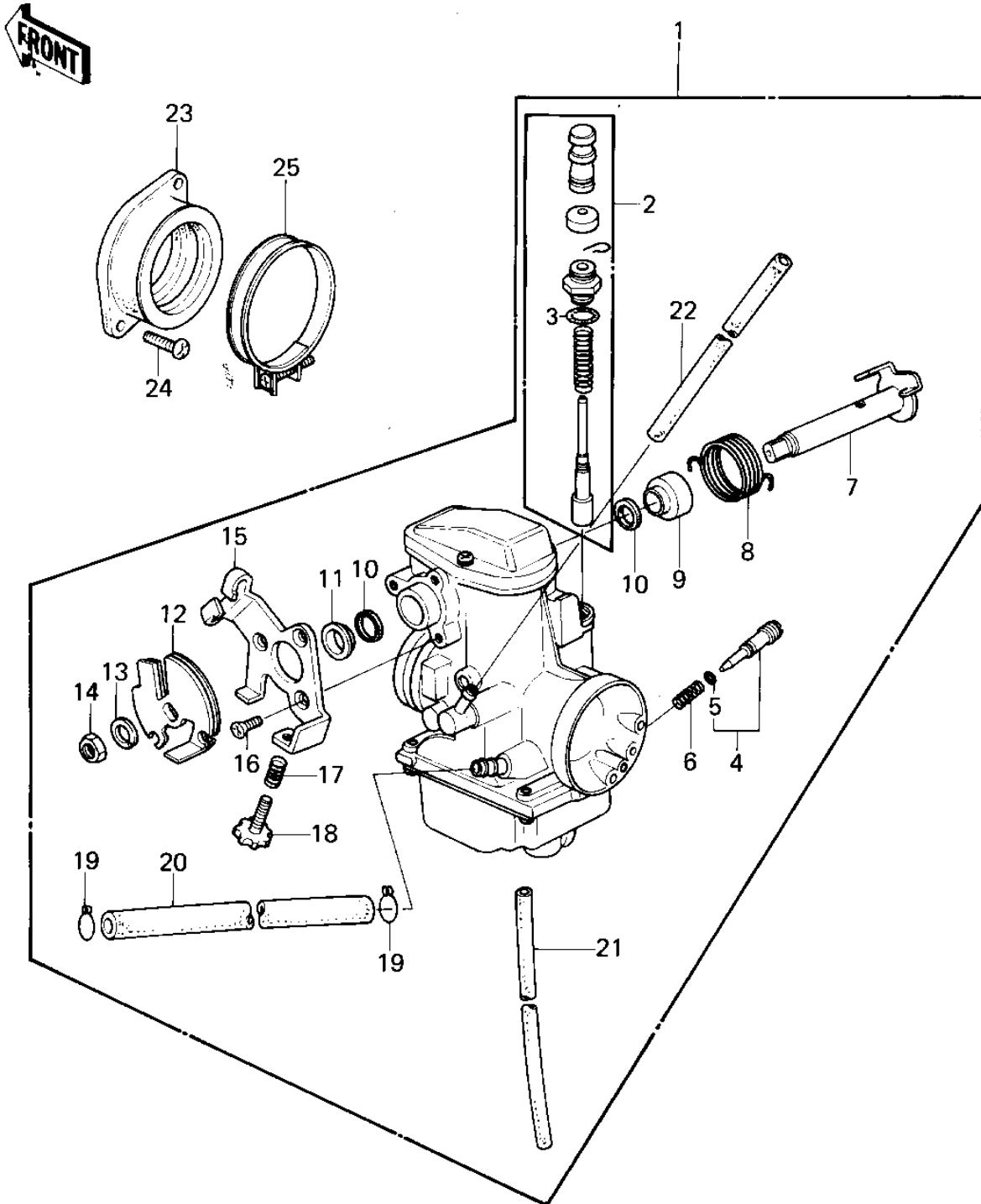


# 1980 KLX250 PARTS DIAGRAM

CARBURETOR ASSY



# 1980 KLX250 PARTS LIST

## CARBURETOR ASSY

ITEM NAME	PART NUMBER	QUANTITY
CARBURETOR ASSY (Ref # 1)	16001-1251	
CARBURETOR ASSY (Ref # 1)	16001-1251	
PLUNGER,STARTER (Ref # 2)	16016-1026	
"O" RING,9MM (Ref # 3)	670B1509	
SCREW,PILOT ADJUST (Ref # 4)	16014-1017	
"O" RING (Ref # 5)	16038-022	
SPRING-THR STOP SCREW (Ref # 6)	16022-007	
SHAFT,THROTTLE (Ref # 7)	16041-1010	
SPRING,THROTTLE VALVE (Ref # 8)	92081-1184	
GUIDE,RETURN SPRING (Ref # 9)	92026-1060	
OIL SEAL THROTTLE (Ref # 10)	11009-1157	
COLLAR,B (Ref # 11)	16073-003	
LEVER,THROTTLE (Ref # 12)	13168-1049	
WASHER SPRING 8MM (Ref # 13)	461F0800	
NUT 8MM (Ref # 14)	315B0800	
BRACKET,THROTTLE CABL (Ref # 15)	11034-1585	
SCREW,CNTSNK HD,5X14 (Ref # 16)	221B0514A	
SPRING,THROTTLE ADJST (Ref # 17)	16022-010	
SCREW,THROTTLE STOP (Ref # 18)	16021-1016	
CLAMP,HOSE (Ref # 19)	92037-1184	
TUBE,7.5X12.5X225 (Ref # 20)	92059-1123	
HOSE,OVERFLOW,3,5X450 (Ref # 21)	92059-1095	
HOSE,AIR VENT,4.5X250 (Ref # 22)	92059-1096	
HOLDER,CARBURETOR (Ref # 23)	16065-1024	
SCREW PAN HEAD 6X14 (Ref # 24)	220B0614	
CLAMP,57M/M (Ref # 25)	92037-1006	