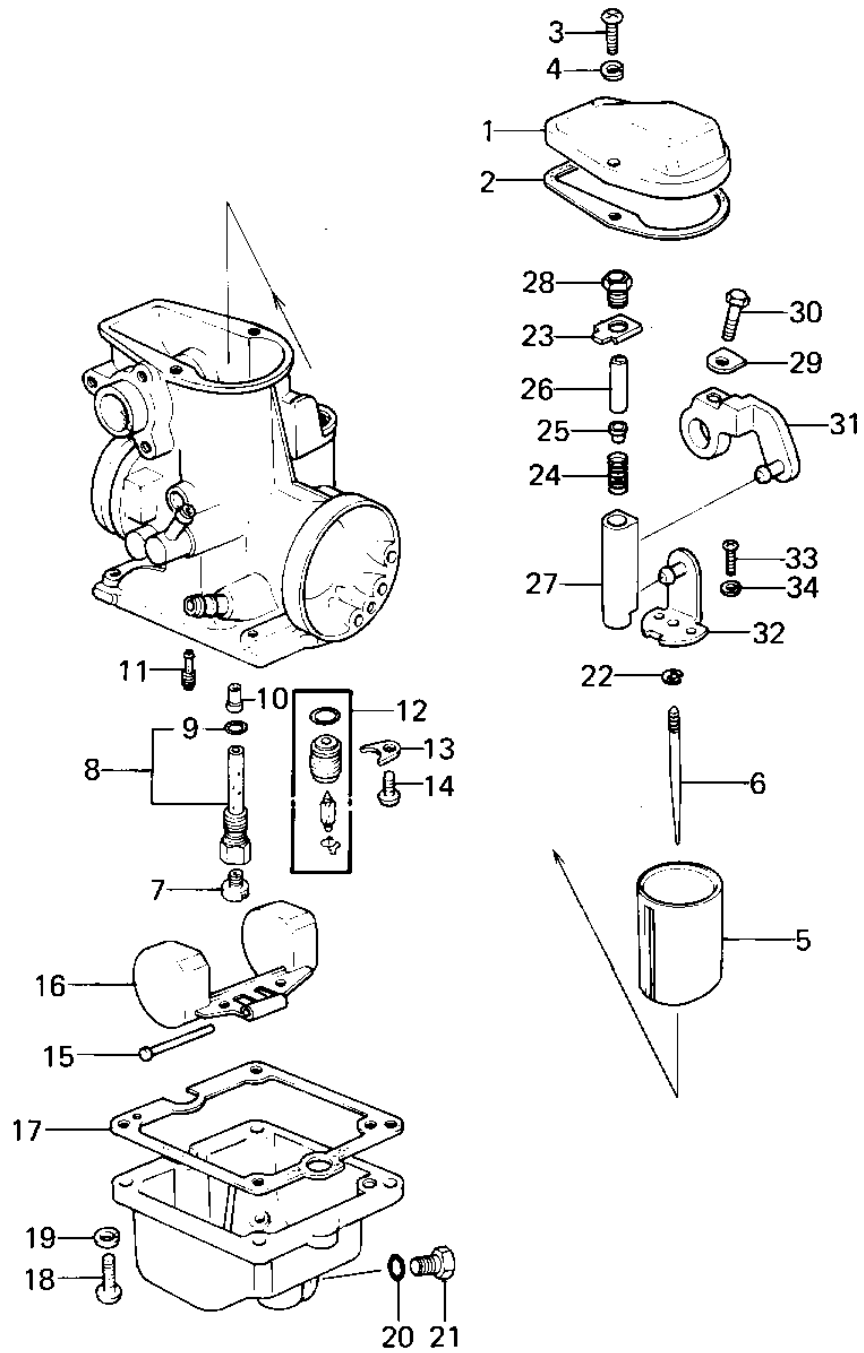


# 1980 KLX250 PARTS DIAGRAM

## CARBURETOR PARTS



# 1980 KLX250 PARTS LIST

## CARBURETOR PARTS

ITEM NAME	PART NUMBER	QUANTITY
TOP,MIXING CHAMBER (Ref # 1)	16005-1007	
GASKET,CHAMBER TOP (Ref # 2)	16019-018	
SCREW-PAN-CROS (Ref # 3)	220B0414	
WASHER SPRING 4MM (Ref # 4)	461F0400	
VALVE,THROTTLE,C.A.2.5 (Ref # 5)	16025-1035	
VALVE,THROTTLE,CA=2.5 (Ref # 5)	16025-1042	
JET NEEDLE,#6H2-2 (Ref # 6)	16009-1042	
MAIN JET,#A137.5 (Ref # 7)	92063-1087	
JET-MAIN NO 132.5R (Ref # 7)	92063-103	
MAIN JET NO 135R (Ref # 7)	92063-104	
MAIN JET,#140A (Ref # 7)	92063-116	
JET-MAIN NO 142.5R (Ref # 7)	92063-117	
HOLDER,NEEDLE JET (Ref # 8)	13091-1061	
"0" RING,MAIN JET COV (Ref # 9)	16038-016	
NEEDLE JET,#P-2 (Ref # 10)	16017-1042	
JET-PILOT NO 30 (Ref # 11)	92064-022	
JET-PILOT NO 25 (Ref # 11)	92064-032	
FLOTE VALVE ASSY,#2.8 (Ref # 12)	16030-1008	
PLATE, LOCK (Ref # 13)	13169-1190	
SCREW PAN HEAD 4X6 (Ref # 14)	220B0406	
PIN,FLOAT (Ref # 15)	16032-008	
FLOAT (Ref # 16)	16031-1008	
GASKET,FLOAT CHAMBER (Ref # 17)	11009-1156	
UNAVAILABLE IN PRICE BOOK (Ref # 18)	214B0516A	
WASHER SPRING 5MM (Ref # 19)	461F0500	
"0" RING,MAIN JET COV (Ref # 20)	16038-016	
BOLT,HEX HEAD,DRAIN (Ref # 21)	92066-1045	
CIRCLIP (Ref # 22)	16008-010	
WASHER,LOCK,A (Ref # 23)	16054-003	

# 1980 KLX250 PARTS LIST

## CARBURETOR PARTS

ITEM NAME	PART NUMBER	QUANTITY
SPRING (Ref # 24)	16040-026	
SEAT,SPRING (Ref # 25)	16057-002	
HOLDER,THROTTLE SHAFT (Ref # 26)	16065-017	
SHAFT,THROTTLE VALVE (Ref # 27)	16052-003	
GUIDE SCREW (Ref # 28)	92001-1289	
WASHER,LOCK,B (Ref # 29)	16054-004	
BOLT,B (Ref # 30)	16067-004	
LEVER,A (Ref # 31)	16068-007	
BRACKET,THROTTLE VALV (Ref # 32)	11034-1584	
SCREW-PAN-CROS (Ref # 33)	220B0310	
WASHER SPRING 3MM (Ref # 34)	461F0300	