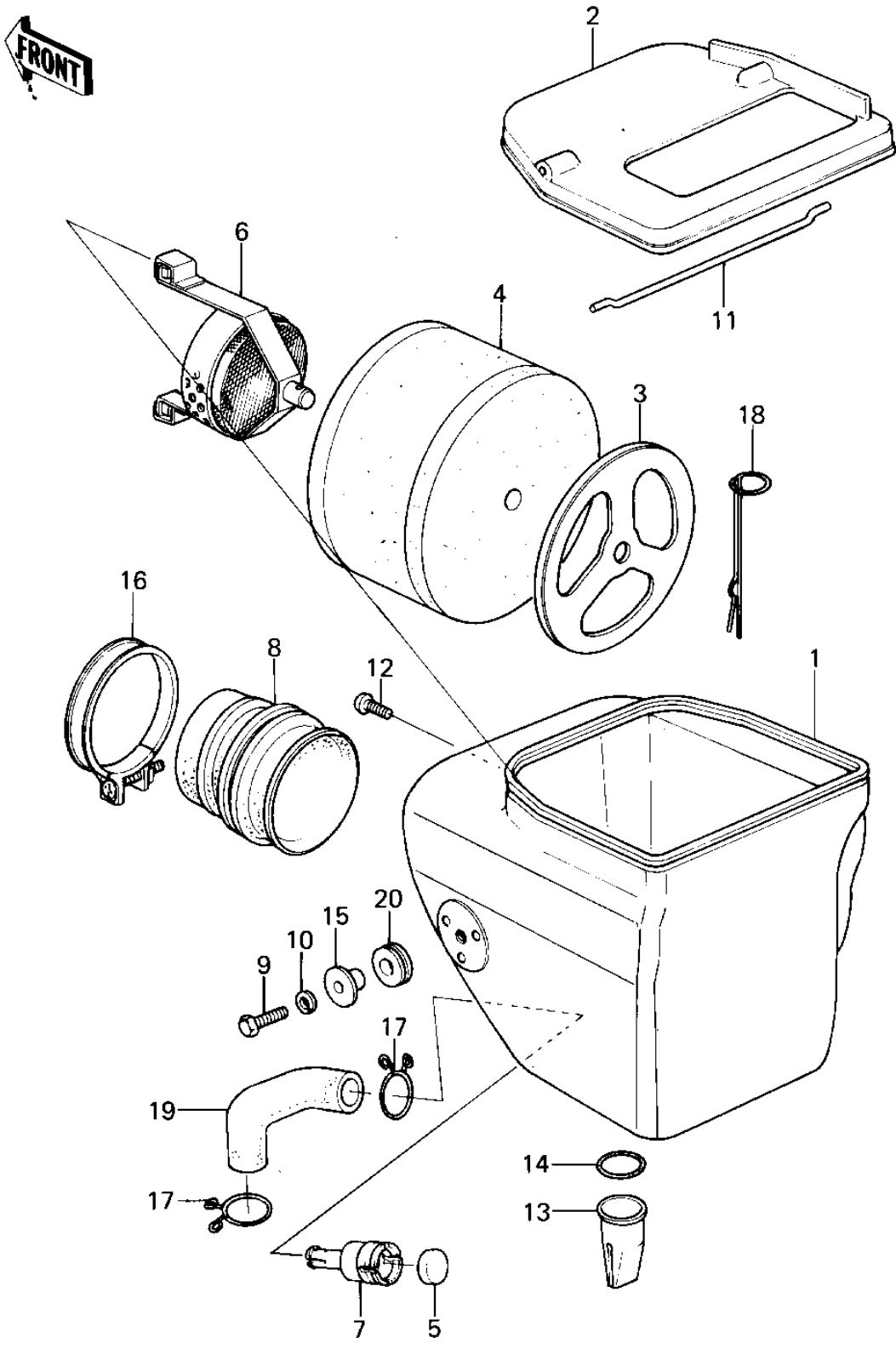


1980 KLX250 PARTS DIAGRAM

AIR CLEANER



1980 KLX250 PARTS LIST

AIR CLEANER

ITEM NAME	PART NUMBER	QUANTITY
CASE-AIR FILTER (Ref # 1)	11011-5003	
CAP,AIR CLEANER (Ref # 2)	11012-1090	
CAP,CLEANER ELEMENT (Ref # 3)	11012-1093	
ELEMENT,AIR CLNR (Ref # 4)	11013-1022	
ELEMENT,AIR CLNR (Ref # 5)	11013-1026	
BRACKET,CLEANER ELMNT (Ref # 6)	11034-1562	
HOLDER,BREATHER ELMNT (Ref # 7)	13091-1060	
DUCT,AIR CLEANER (Ref # 8)	14073-1028	
BOLT-UPSET,6X20 (Ref # 9)	112G0620	
WASHER SPRING 6MM (Ref # 10)	461F0600	
BAR,AIR CLEANER CAP (Ref # 11)	16149-1007	
SCREW PAN HEAD 6X12 (Ref # 12)	220B0612	
BOOT (Ref # 13)	49006-1012	
"O" RING,20MM (Ref # 14)	670B2020	
COLLAR (Ref # 15)	92027-194	
CLAMP (Ref # 16)	92037-171	
CLAMP,BREATHER TUBE (Ref # 17)	92037-213	
COTTER,AIR CLEANER (Ref # 18)	92041-1001	
TUBE,BREATHER (Ref # 19)	92059-1004	
DAMPER RUBBER (Ref # 20)	92075-076	