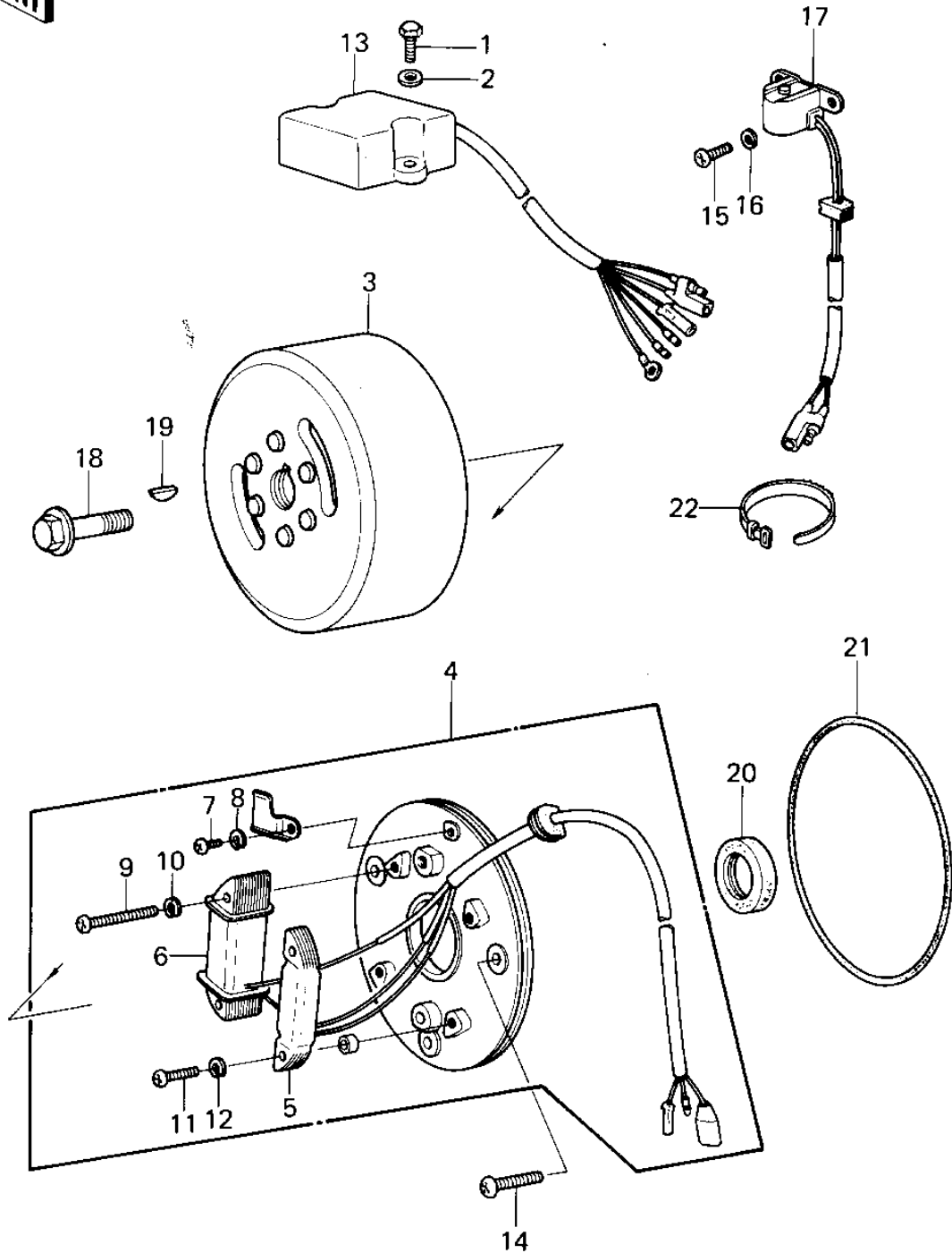


# 1979 KLX250 PARTS DIAGRAM

IGNITION/GENERATOR



# 1979 KLX250 PARTS LIST

## IGNITION/GENERATOR

ITEM NAME	PART NUMBER	QUANTITY
BOLT-UPSET,6X16 (Ref # 1)	112G0616	2
WASHER PLAIN 6MM (Ref # 2)	411B0600	2
FLYWHEEL,MAGNETO (Ref # 3)	21050-1011	1
STATOR ASSY (Ref # 4)	21003-1021	1
COIL EXCITING (Ref # 5)	21049-1014	1
COIL,LIGHTING (Ref # 6)	21047-1008	1
SCREW PAN HEAD 4X6 (Ref # 7)	220B0406	1
WASHER SPRING 4MM (Ref # 8)	461F0400	1
SCREW-PAN-CROS,5X25 (Ref # 9)	220B0525	2
WASHER SPRING 5MM (Ref # 10)	461F0500	2
SCREW PAN HEAD 5X20 (Ref # 11)	220B0520	2
WASHER SPRING 5MM (Ref # 12)	461F0500	2
IGNITER (Ref # 13)	21119-1012	1
SCREW PAN HEAD 6X25 (Ref # 14)	220B0625	3
SCREW-PAN-CROS (Ref # 15)	220B0514	2
WASHER SPRING 5MM (Ref # 16)	461F0500	2
COIL,PULSING (Ref # 17)	59026-1005	1
BOLT,10X40 (Ref # 18)	92001-1201	1
WOODRUFF KEY (Ref # 19)	92038-001	1
OIL SEAL,S-27408-LHS (Ref # 20)	92049-1004	1
"O" RING,MAGNETO BASE (Ref # 21)	92055-1006	1
BAND,WIRING HARNESS (Ref # 22)	92072-056	1