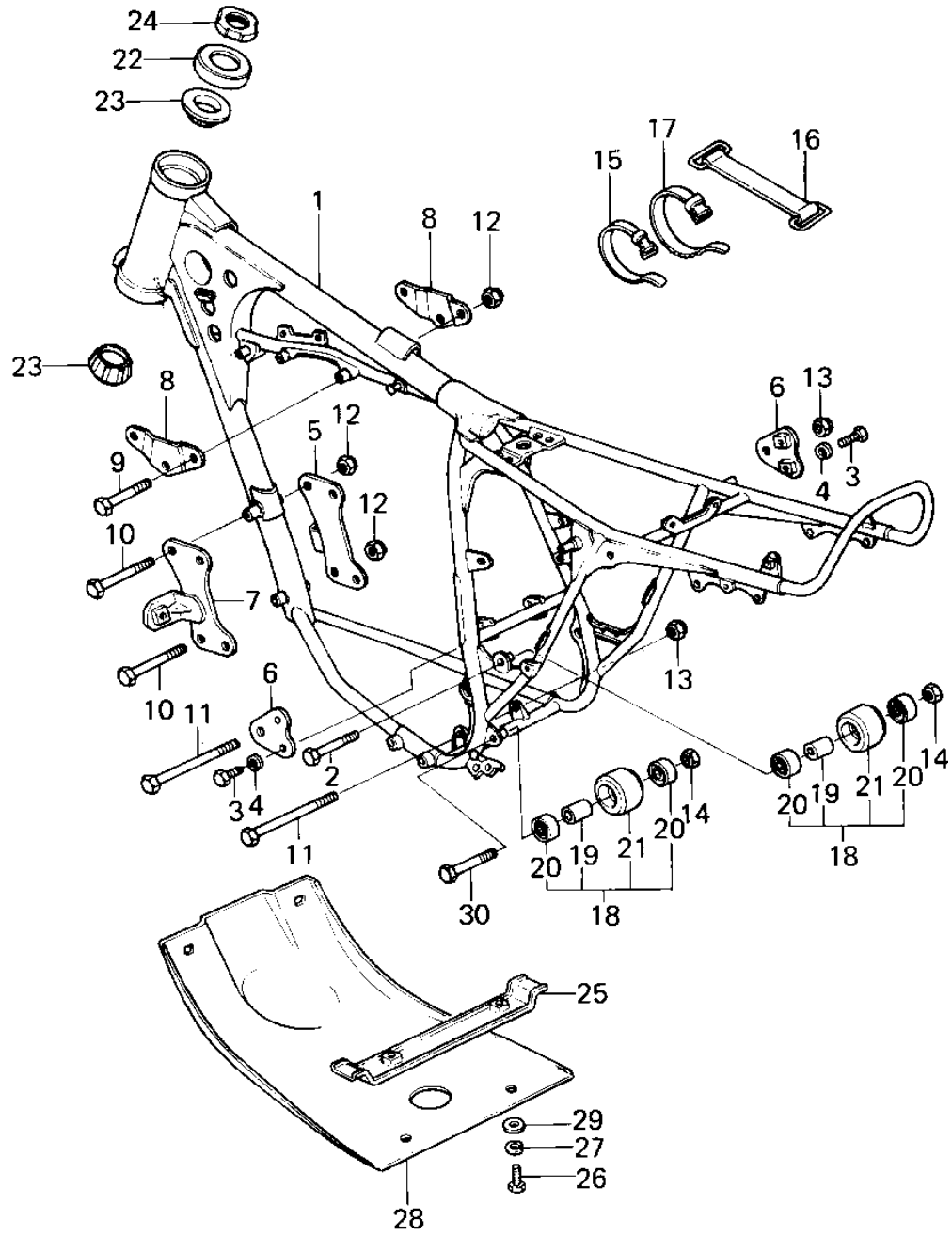


1979 KLX250 PARTS DIAGRAM

FRAME/FRAME FITTINGS



1979 KLX250 PARTS LIST

FRAME/FRAME FITTINGS

ITEM NAME	PART NUMBER	QUANTITY
FRAME (Ref # 1)	32002-1089	1
BOLT,8X55 (Ref # 2)	92001-1386	1
BOLT-SMALL-UPSET,8X18 (Ref # 3)	115G0818	4
WASHER SPRING 8MM (Ref # 4)	461F0800	4
BRACKET,ENGINE,FRONT (Ref # 5)	32029-1102	1
BRACKET,ENGINE,REAR (Ref # 6)	32029-1104	2
BRACKET,ENGINE,FRONT (Ref # 7)	32029-1105	1
BRACKET,ENGINE,HEAD (Ref # 8)	32029-1108	2
BOLT,HEX HEAD,8X60 (Ref # 9)	110G0860	3
BOLT-8X63 (Ref # 10)	92001-1397	4
BOLT,HEX HEAD,10X105 (Ref # 11)	92001-1282	2
NUT,LOCK,8MM (Ref # 12)	92015-1124	7
NUT,LOCK,10MM (Ref # 13)	92019-021	2
NUT,LOCK,8MM (Ref # 14)	92015-1124	2
BAND,MIDDLE (Ref # 15)	92072-031	1
BAND,OIL TANK (Ref # 16)	92072-045	2
BAND,WIRING HARNESS (Ref # 17)	92072-056	1
ROLLER,ASSY (Ref # 18)	92122-1013	2
COLLAR (Ref # 19)	92027-1081	2
BEARING,BALL (Ref # 20)	92045-1009	4
ROLLER (Ref # 21)	92122-1014	2
CAP,STEERING STEM (Ref # 22)	46098-015	1
BEARING,STEERING STEM (Ref # 23)	92047-017	2
NUT (Ref # 24)	92015-1546	1
BRACKET,ENGINE GUARD (Ref # 25)	11034-5009	1
BOLT-UPSET 6X14 (Ref # 26)	112B0614	4
WASHER SPRING 6MM (Ref # 27)	461F0600	4
GUARD ENGINE (Ref # 28)	55020-5001	1
WASHER 6.5X20X1.6T (Ref # 29)	92022-125	4