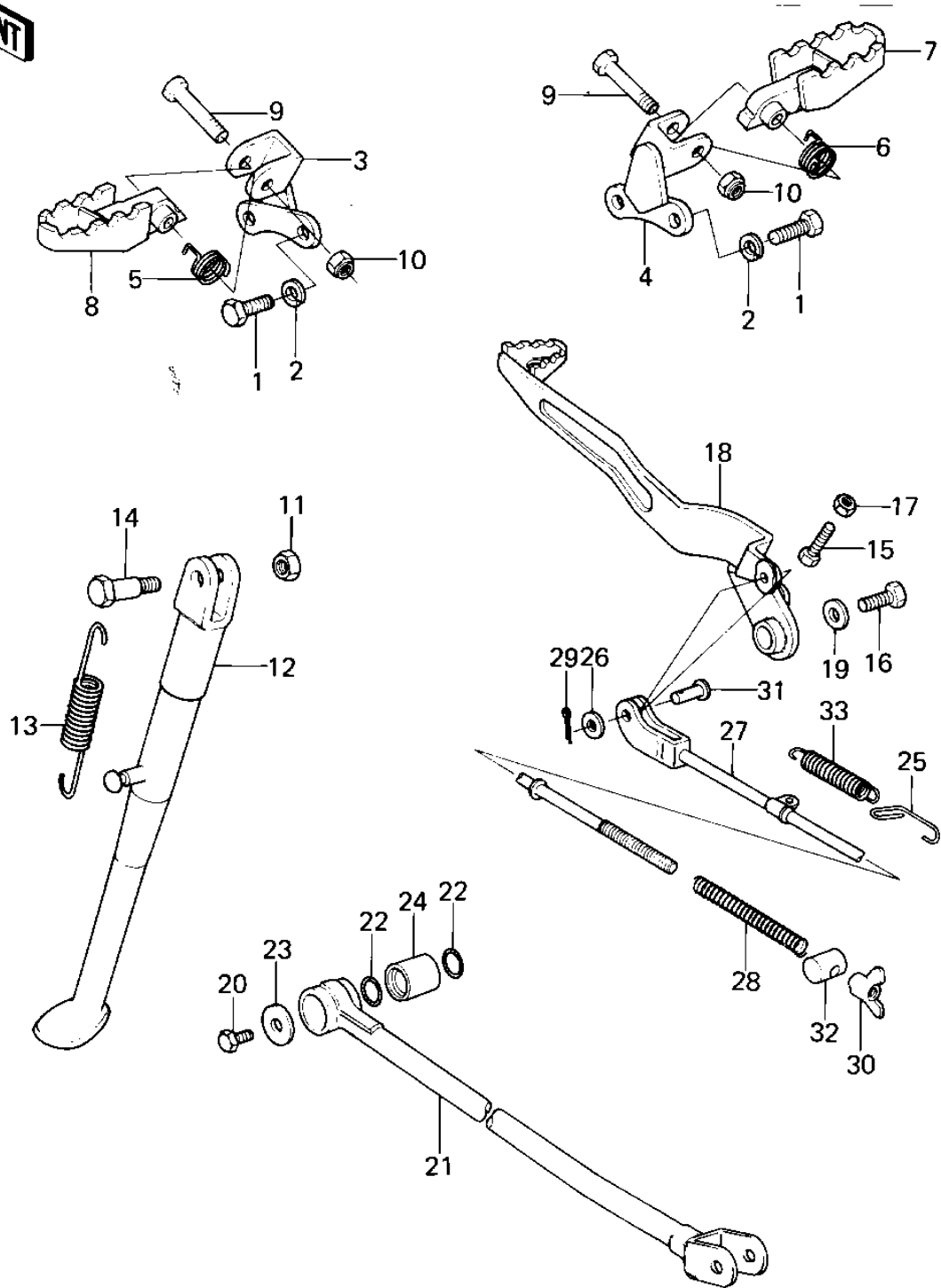


1979 KLX250 PARTS DIAGRAM

FOOTRESTS/STAND/BRAKE PEDAL



1979 KLX250 PARTS LIST

FOOTRESTS/STAND/BRAKE PEDAL

ITEM NAME	PART NUMBER	QUANTITY
BOLT-UPSET,10X20 (Ref # 1)	112B1020	4
WASHER SPRING 10MM (Ref # 2)	461F1000	4
HOLDER,FOOTREST STEP (Ref # 3)	34003-1045	1
HOLDER,FOOTREST STEP (Ref # 4)	34003-1046	1
SPRING,L.H,FOOTREST (Ref # 5)	92081-1254	1
SPRING,R.H,FOOTREST (Ref # 6)	92081-1255	1
STEP (Ref # 7)	34028-1033	1
STEP (Ref # 8)	34028-1034	1
BOLT,HEX HEAD 10X40 (Ref # 9)	92001-1028	2
NUT,LOCK,10MM (Ref # 10)	92019-021	2
NUT 10MM (Ref # 11)	315B1000	1
STAND-SIDE (Ref # 12)	34024-4001	1
SPRING,SIDE STAND (Ref # 13)	34025-008	1
BOLT, SIDE STAND FIT (Ref # 14)	92003-157	1
BOLT-UPSET (Ref # 15)	112G0625	1
BOLT-SMALL-UPSET,8X14 (Ref # 16)	115B0814	1
NUT 6MM (Ref # 17)	312B0600	1
LEVER,BRAKE PEDAL (Ref # 18)	43001-1036	1
WASHER,8X26X2.3 (Ref # 19)	92022-1564	1
BOLT,6X10 (Ref # 20)	112G0610	1
ROD,TORQUE (Ref # 21)	43007-1013	1
"O" RING,15MM (Ref # 22)	670B2015	1
WASHER,PLAIN,7MM (Ref # 23)	92022-228	1
BUSHING,BRAKE ROD (Ref # 24)	92028-1023	1
HOOK,BRAKE SPRING (Ref # 25)	27012-1013	1
WASHER PLAIN 6MM (Ref # 26)	410B0600	1
ROD,BRAKE (Ref # 27)	43011-1015	1
SPRING,BRAKE ROD (Ref # 28)	43012-001	1
PIN COTTER 2.0X15 (Ref # 29)	550D2015	1

1979 KLX250 PARTS LIST

FOOTRESTS/STAND/BRAKE PEDAL

ITEM NAME	PART NUMBER	QUANTITY
NUT,WING,6M/M (Ref # 30)	92015-4004	1
PIN-BRAKE ROD FITTING (Ref # 31)	92043-064	1
PIN,BRAKE (Ref # 32)	92043-1024	1