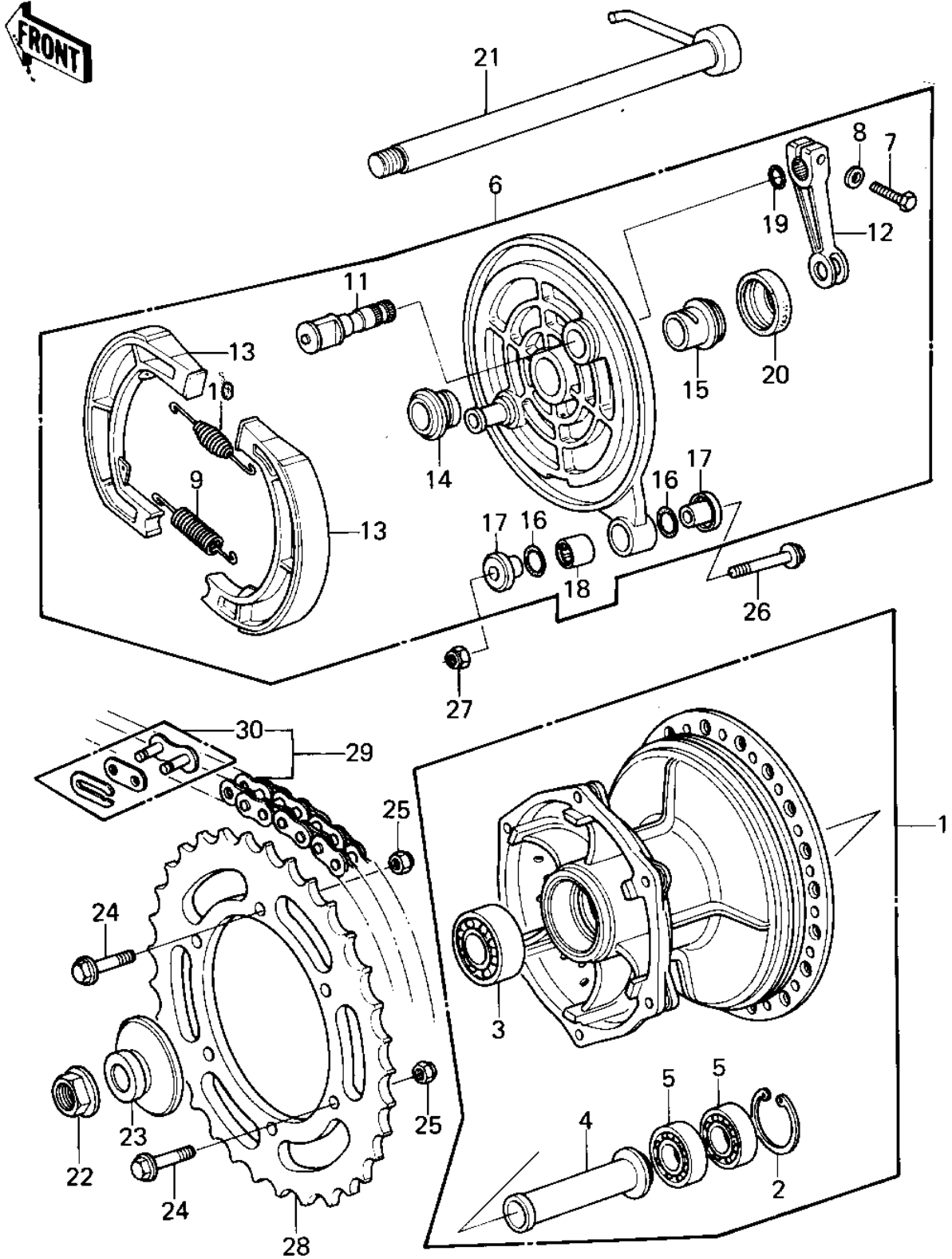


# 1980 KLX250 PARTS DIAGRAM

REAR HUB/BRAKE/CHAIN



# 1980 KLX250 PARTS LIST

## REAR HUB/BRAKE/CHAIN

ITEM NAME	PART NUMBER	QUANTITY
DRUM-ASSY,RR BRK (Ref # 1)	41034-1017	
CIRCLIP,35MM (Ref # 2)	481J3500	
BEARING,BALL,*6004UU* (Ref # 3)	601B6004UU	
COLLAR,REAR BRAKE (Ref # 4)	92027-1207	
BEARING-BALL,#6003UC3 (Ref # 5)	601B6003U	
PANEL-ASY,RR BRK (Ref # 6)	41035-1025	
BOLT-UPSET (Ref # 7)	112G0622	
WASHER PLAIN 6MM (Ref # 8)	410B0600	
SPRING,BRAKE SHOE (Ref # 9)	92081-1766	
SPRING,BRAKE SHOE (Ref # 10)	92081-1550	
CAM SHAFT, (Ref # 11)	41050-1007	
LEVER,BROKE CAM REAR (Ref # 12)	41053-1008	
SHOE,BRAKE (Ref # 13)	42019-010	
SLEEVE,REAR BRAKE (Ref # 14)	42036-1009	
SLEEVE,REAR PANEL,R.H (Ref # 15)	42036-1035	
"O" RING (Ref # 16)	670B2011	
COLLAR (Ref # 17)	92027-1040	
BEARING,NEEDLE (Ref # 18)	92046-1009	
"O" RING,12MM (Ref # 1)	670B2012	
OIL SEAL (Ref # 20)	92093-1004	
AXLE,REAR (Ref # 21)	41068-4002	
NUT,16M/M (Ref # 22)	92015-1015	
COLLAR,REAR AXLE (Ref # 23)	92027-1206	
BOLT,HEX HEAD,8X32 (Ref # 24)	92001-1040	
NUT,LOCK,8MM (Ref # 25)	92015-1124	
BOLT,HEX HEAD,8X36 (Ref # 26)	92001-1041	
NUT,LOCK,8MM (Ref # 27)	92015-1124	
REAR SPROCKET 46T (Ref # 28)	42041-1036	
REAR SPROCKET,44T (Ref # 28)	42041-1037	

# 1980 KLX250 PARTS LIST

## REAR HUB/BRAKE/CHAIN

ITEM NAME	PART NUMBER	QUANTITY
REAR SPROCKET,47T (Ref # 28)	42041-1038	
DR CHAIN 520X108L (Ref # 29)	92057-1032	
CHAIN JOINT 520 (Ref # 30)	92058-1002	