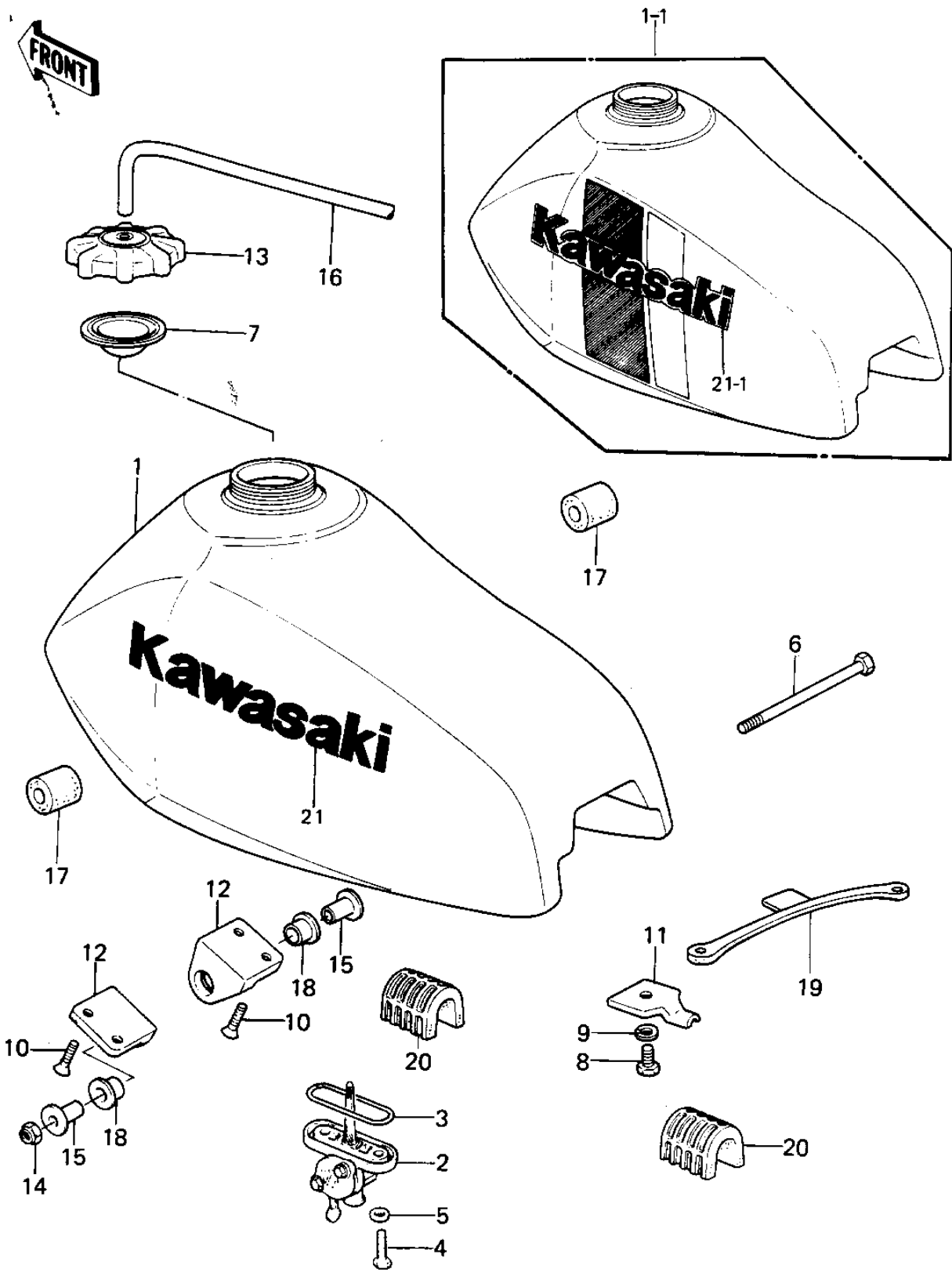


1979 KLX250 PARTS DIAGRAM

FUEL TANK



1979 KLX250 PARTS LIST

FUEL TANK

ITEM NAME	PART NUMBER	QUANTITY
TANK-FUEL,L.GREEN (Ref # 1)	51001-1080-6W	1
TANK-FUEL,L.GREEN (Ref # 1-1)	51001-5106-6W	1
COCK ASSY,FUEL (Ref # 2)	51023-4002	1
"O" RING (Ref # 3)	51039-003	1
BOLT,6X20,FUEL TAP (Ref # 4)	92001-1091	2
WASHER-PLAIN (Ref # 5)	92022-183	2
BOLT-UPSET,6X105 (Ref # 6)	112G06105	1
GASKET,FUEL TANK (Ref # 7)	11009-1452	1
BOLT,6X10 (Ref # 8)	112G0610	1
WASHER SPRING 6MM (Ref # 9)	461F0600	1
SCREW CNTSNK HD 6X14 (Ref # 10)	221B0614	4
BRACKET,FUEL TANK (Ref # 11)	32052-1009	1
BRACKET,FUEL TANK (Ref # 12)	32052-1010	2
CAP-TANK,FUEL (Ref # 13)	51049-1006	1
NUT (Ref # 14)	92019-008	1
SPACER,FUEL TANK (Ref # 15)	92026-1015	2
TUBE,VINYL (Ref # 16)	92059-1022	1
DAMPER RUBBER,FUEL (Ref # 17)	92075-1047	2
DAMPER RUBBER,FUEL (Ref # 18)	92075-1048	2
BAND,FUEL TANK (Ref # 19)	92072-1033	1
DAMPER RUBBER,FUEL (Ref # 20)	92075-1027	2
DECAL,FUEL TANK (Ref # 21)	56014-1023	2
EMBLEM,LH (Ref # 21-1)	56014-4005	1
EMBLEM,RH (Ref # 21-1)	56014-4006	1