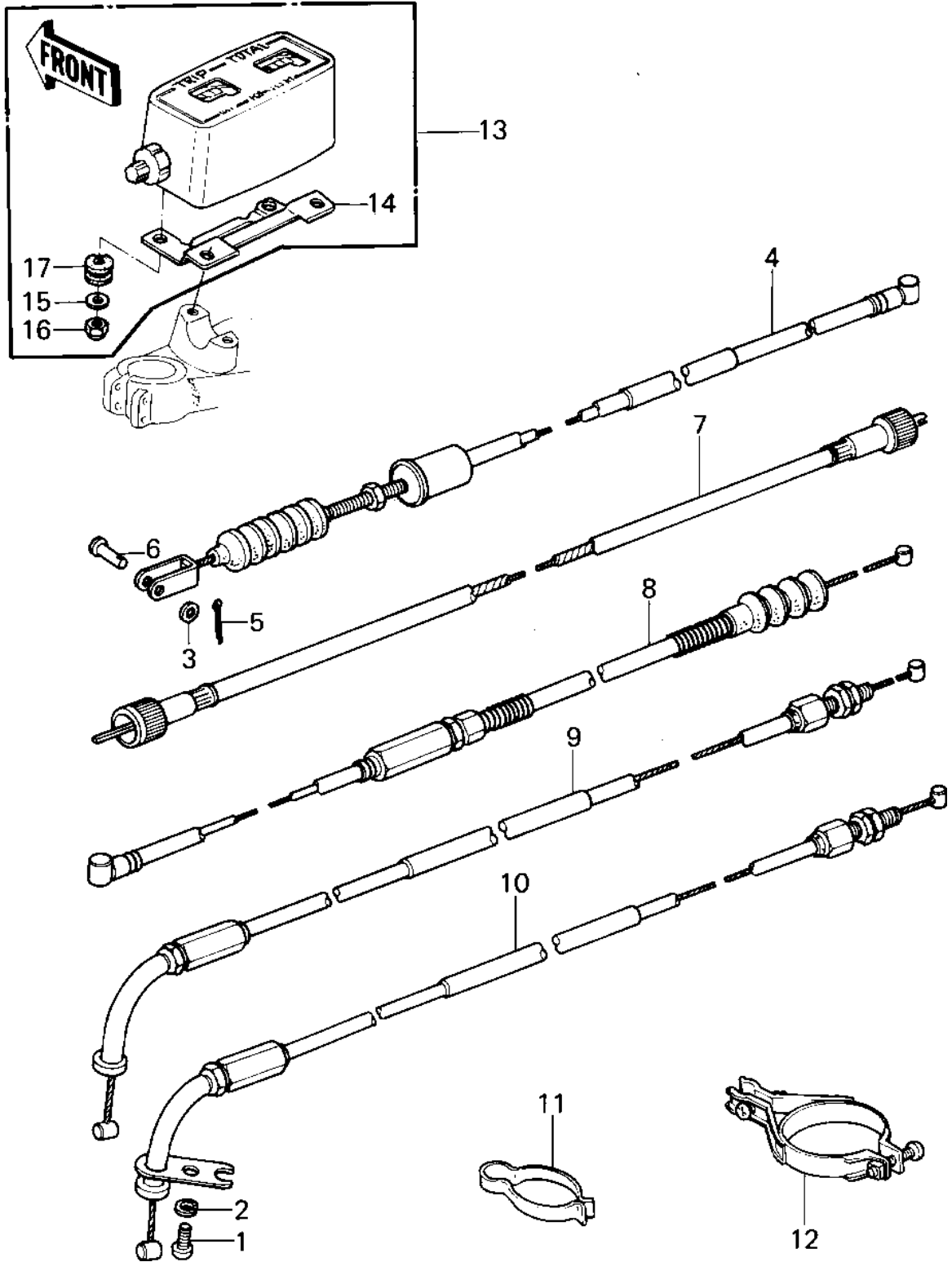


1979 KLX250 PARTS DIAGRAM

CABLES/METER



1979 KLX250 PARTS LIST

CABLES/METER

ITEM NAME	PART NUMBER	QUANTITY
SCREW PAN HEAD 6X10 (Ref # 1)	220B0610	1
WASHER SPRING 6MM (Ref # 2)	461F0600	1
WASHER PLAIN 6MM (Ref # 3)	410B0600	1
CABLE,FRONT BRAKE (Ref # 4)	54005-1020	1
PIN COTTER 2.0X15 (Ref # 5)	550D2015	1
PIN-BRAKE ROD FITTING (Ref # 6)	92043-064	1
CABLE,SPEEDOMETER (Ref # 7)	54001-1020	1
CABLE,CLUTCH (Ref # 8)	54011-1032	1
CABLE,THROTTLE,OPEN (Ref # 9)	54012-1050	1
CABLE,THROTTLE,CLOSE (Ref # 10)	54012-1051	1
CLAMP,CABLE (Ref # 11)	92037-093	1
CLAMP,CABLE (Ref # 12)	92037-1072	1
METER ASSY (Ref # 13)	25001-1099	1
METER ASSY,KPH (Canada) (Ref # 13)	25001-1103	1
BRACKET,METER (Ref # 14)	11034-1574	1
WASHER,5.2X16X16X1.2T (Ref # 15)	25009-004	2
NUT-CAP,5MM (Ref # 16)	322N0500	2
DAMPER RUBBER,METER (Ref # 17)	92075-1209	2