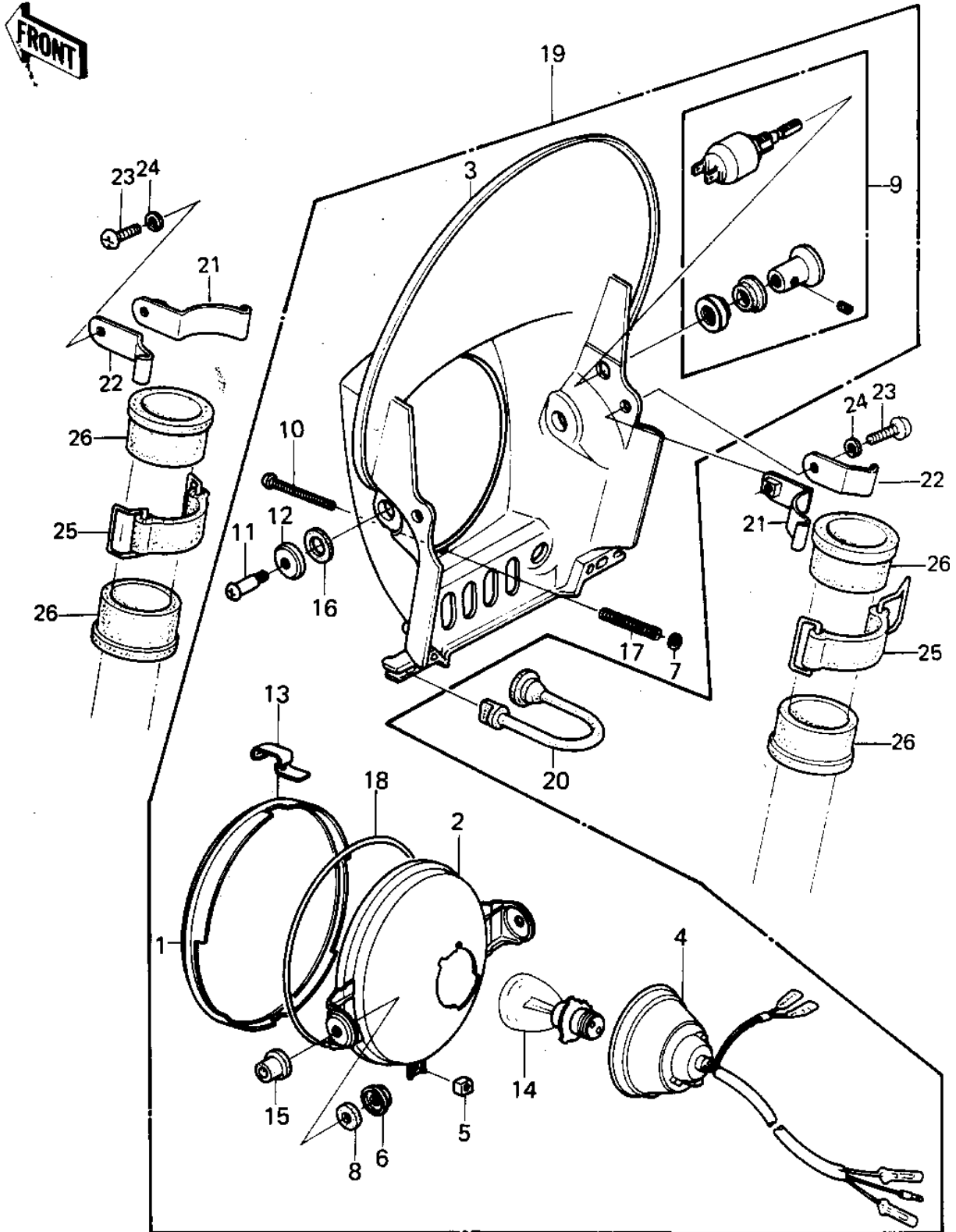


1980 KLX250 PARTS DIAGRAM

HEADLIGHT (KLX250-A2)



1980 KLX250 PARTS LIST

HEADLIGHT (KLX250-A2)

ITEM NAME	PART NUMBER	QUANTITY
COVER,HEAD LAMP (Ref # 1)	14025-4002	
LAMP,HEAD (Ref # 2)	23004-4001	
BODY-COMP-HEAD LAMP,L (Ref # 3)	23005-5002-7F	
SOCKET,HEAD LAMP (Ref # 4)	23008-4001	
NUT,4MM (Ref # 5)	23020-018	
NUT,HEAD LAMP RIM FIT (Ref # 6)	23020-023	
WASHER (Ref # 7)	23021-004	
WASHER-PLAIN,5MM (Ref # 8)	23021-012	
SWITCH,HEAD LAMP (Ref # 9)	27004-4001	
SCREW,ADJUSTING,4X43 (Ref # 10)	92009-4002	
SCREW,HEAD LAMP (Ref # 11)	92009-4003	
WASHER,HEAD LAMP (Ref # 12)	92022-4005	
CLAMP,HEAD LAMP (Ref # 13)	92037-4001	
BULB,6V 35/25W (Ref # 14)	92069-4001	
DAMPER,HEAD LAMP (Ref # 15)	92075-4009	
DAMPER,HEAD LAMP (Ref # 16)	92075-4010	
SPRING,FOCUS ADJUSTNG (Ref # 17)	92081-4003	
SEAL,HEAD LAMP (Ref # 18)	92093-4001	
HEAD LAMP ASSY (Ref # 19)	23001-4001	
BAND,HEAD LAMP (Ref # 20)	92072-077	
BRACKET,HEAD LAMP BOD (Ref # 21)	11034-1718	
BRACKET,HEAD LAMP BOD (Ref # 22)	11034-1719	
SCREW PAN HEAD 6X16 (Ref # 23)	220B0616	
WASHER SPRING 6MM (Ref # 24)	461F0600	
BAND,FUEL TANK (Ref # 25)	92072-076	
DAMPER,HEAD LMP FITT (Ref # 26)	92075-1236	