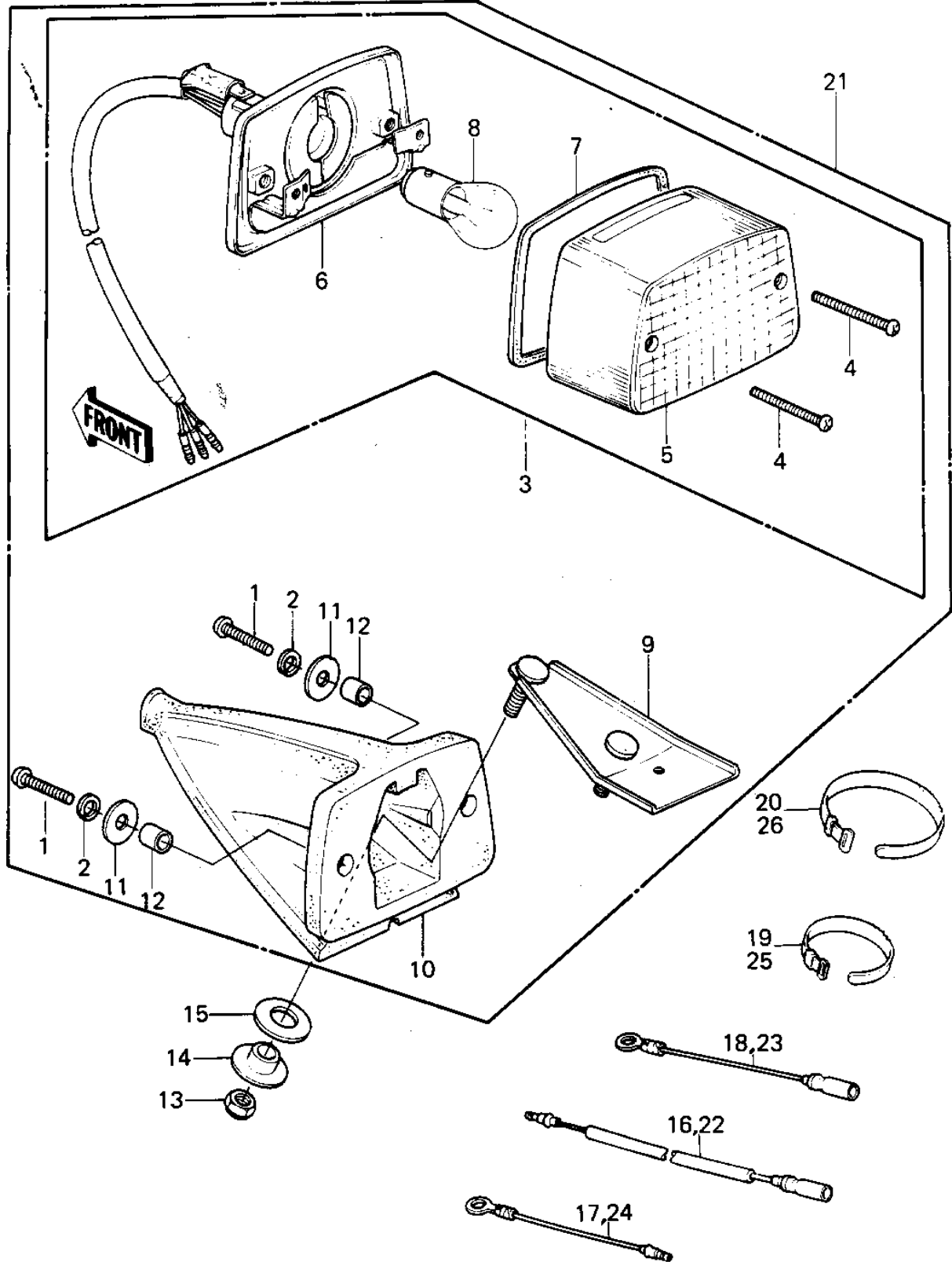


1980 KLX250 PARTS DIAGRAM

TAILLIGHT (KLX250-A2) (OPTIONAL FOR KLX2)



1980 KLX250 PARTS LIST

TAILLIGHT (KLX250-A2) (OPTIONAL FOR KLX2)

ITEM NAME	PART NUMBER	QUANTITY
UNAVAILABLE IN PRICE BOOK (Ref # 1)	214B0516A	
WASHER SPRING 5MM (Ref # 2)	461F0500	
LAMP, TAIL (Ref # 3)	23025-075	
SCREW-PAN-CROS (Ref # 4)	220B0330	
LENS, TAIL LAMP (Ref # 5)	23026-040	
CASE, TAIL LAMP (Ref # 6)	23027-044	
GASKET, TAIL LIGHT (Ref # 7)	23028-020	
BULB, 6V 17/5.3W (Ref # 8)	92069-028	
BRACKET, TAIL LAMP (Ref # 9)	23036-4001	
BODY, TAIL LAMP (Ref # 10)	23069-4001	
WASHER, TAIL LAMP (Ref # 11)	92022-4001	
COLLAR, TAIL LAMP (Ref # 12)	92027-4002	
NUT (Ref # 13)	92019-008	
COLLAR (Ref # 14)	92027-1045	
DAMPER RUBBER (Ref # 15)	92075-118	
WIRE, TAIL LAMP (Ref # 16)	26011-4001	
WIRE, GROUND HEADLAMP (Ref # 17)	26011-4002	
WIRE, GROUND TAIL LIGHT (Ref # 18)	26011-4003	
BAND (Ref # 19)	92072-3505	
BAND (Ref # 20)	92072-3509	
TAIL LAMP ASSY (Ref # 21)	23024-4001	
WIRE, LEAD (Ref # 22)	26011-1067	
WIRE, LEAD (Ref # 23)	26011-1068	
WIRE, LEAD (Ref # 24)	26011-1069	
BAND, SHORT (Ref # 25)	92072-030	
BAND, WIRING HARNESS (Ref # 26)	92072-056	