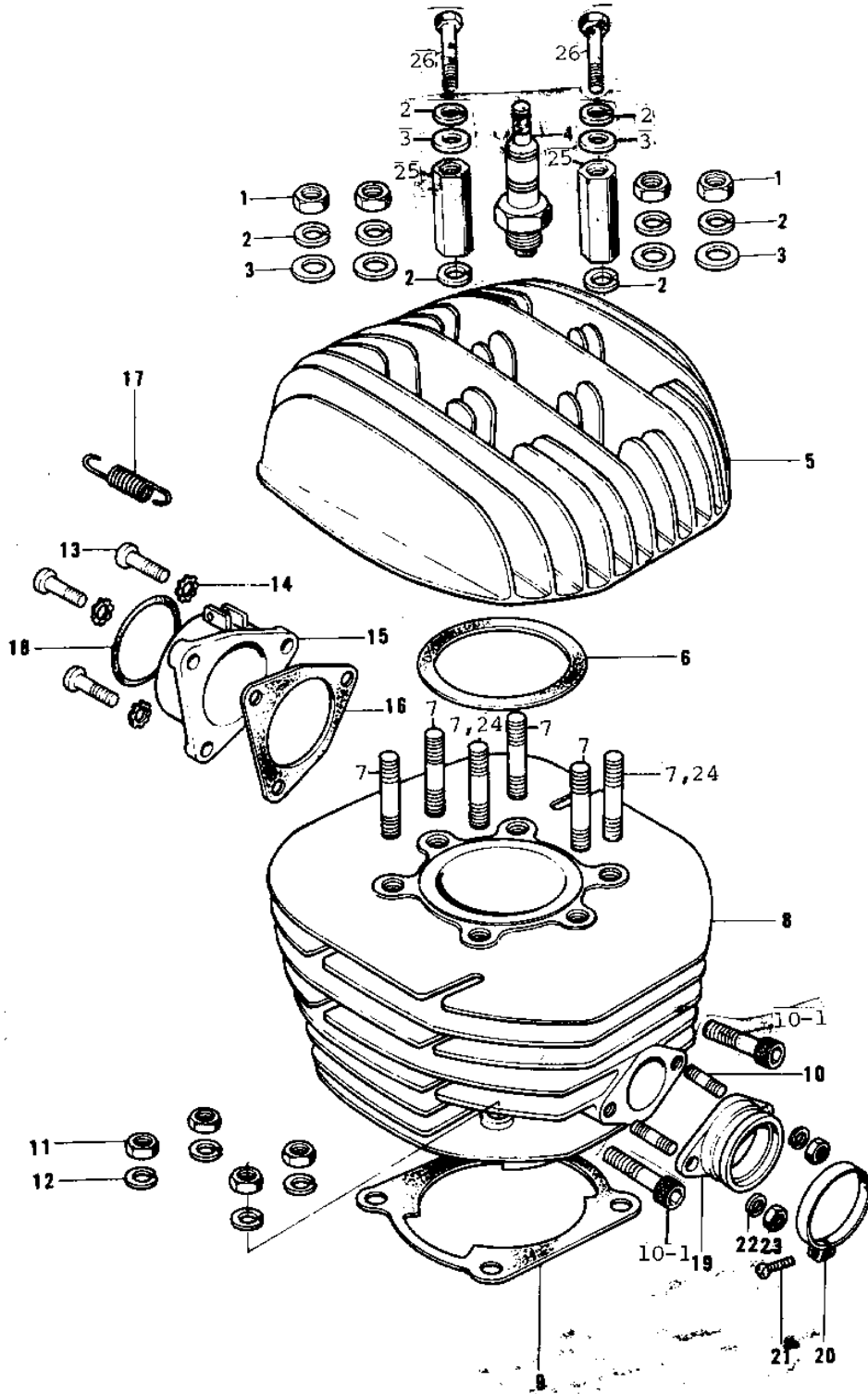


# 1974 KX250 PARTS DIAGRAM

CYLINDER HEAD/CYLINDER (74-76)



# 1974 KX250 PARTS LIST

## CYLINDER HEAD/CYLINDER (74-76)

ITEM NAME	PART NUMBER	QUANTITY
NUT,8MM (Ref # 1)	311B0800	6
NUT,8MM (Ref # 1)	311B0800	4
WASHER SPRING 8MM (Ref # 2)	461F0800	6
WASHER SPRING 8MM (Ref # 2)	461F0800	2
WASHER PLAIN 8MM (Ref # 3)	410B0800	6
WASHER PLAIN 8MM (Ref # 3)	411B0800	2
SPARK PLUG B9EV (Ref # 4)	B9EV	1
CYLINDER HEAD,T.BLACK (Ref # 5)	11001-095-21	1
GASKET,CYLINDER HEAD (Ref # 6)	11004-065	1
STUD 8X40 (Ref # 7)	172G0840	6
CYLINDER,F.BLACK (Ref # 8)	11005-121-21	1
ELEX CYLINDER,F.BLACK (Ref # 8)	11005-149-21	1
GASKET,CYLINDER BASE (Ref # 9)	11009-038	1
STUD,8X12 (Ref # 10)	172G0812	2
BOLT (Ref # 10-1)	120P0816	2
NUT,10MM (Ref # 11)	317B1000	4
WASHER SPRING 10MM (Ref # 12)	461F1000	4
SCREW PAN HEAD 6X25 (Ref # 13)	220B0625	3
WASHER LOCK 6MM (Ref # 14)	464H0600	3
HOLDER,EXHAUST PIPE (Ref # 15)	18062-008	1
GASKET,EXHAUST HOLDER (Ref # 16)	18050-006	1
GASKET,EXHAUST PIPE (Ref # 16)	18050-010	1
SPRING-CONNECTOR (Ref # 17)	18071-003	2
HOLDER,CARBURETOR (Ref # 19)	16065-021	1
CLAMP,CARBURETOR HLDR (Ref # 20)	92037-116	1
SCREW-PAN-CROS (Ref # 21)	220B0535	1
WASHER SPRING 8MM (Ref # 22)	461F0800	2
NUT 8MM (Ref # 23)	318B0800	2
STUD,8MM (Ref # 24)	92004-060	2