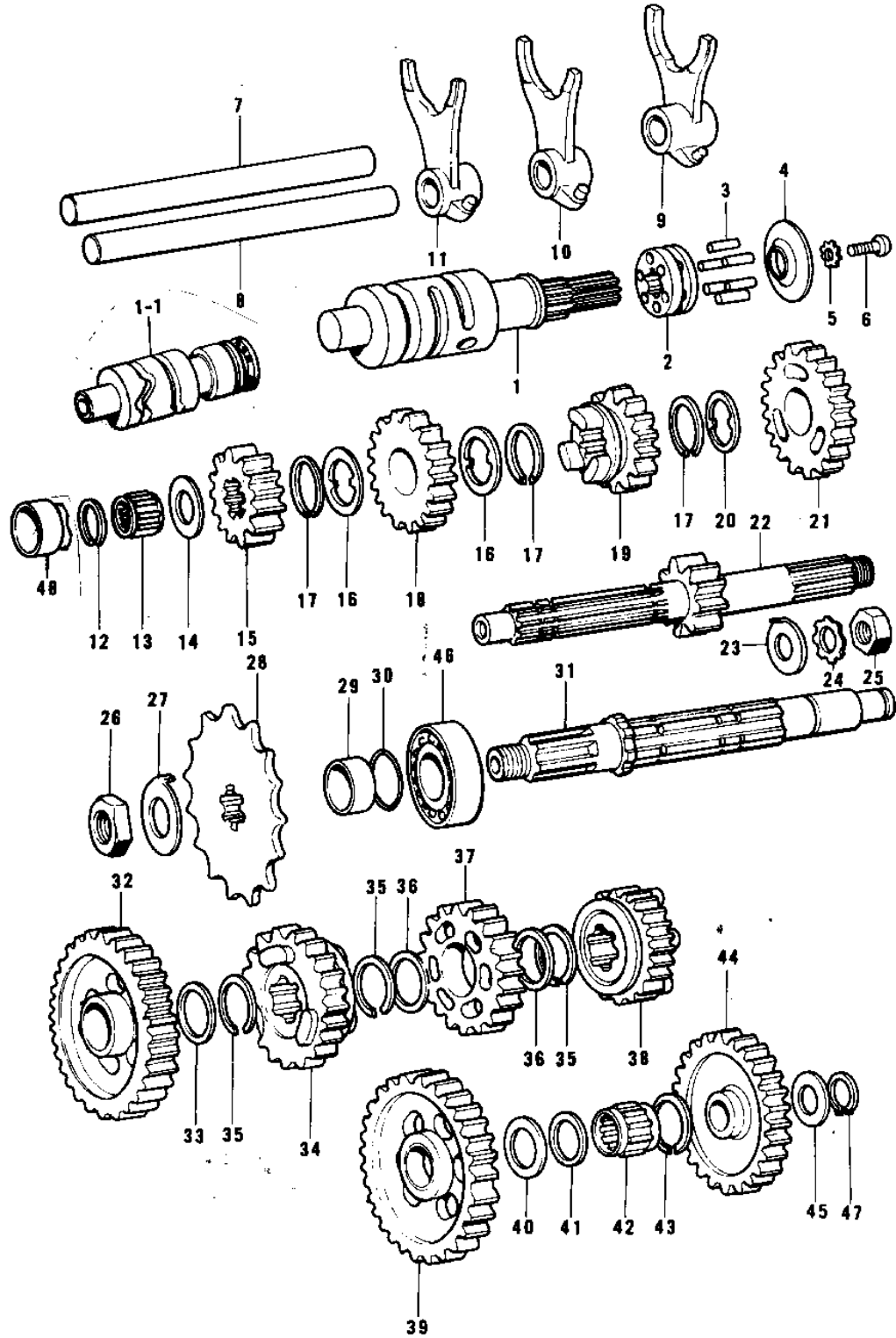


1975 KX250-A PARTS DIAGRAM

TRANSMISSION/CHANGE DRUM (74-76)



1975 KX250-A PARTS LIST

TRANSMISSION/CHANGE DRUM (74-76)

| ITEM NAME | PART NUMBER | QUANTITY |
|----------------------------------|-------------|----------|
| DRUM ASSY-CHANGE (Ref # 1-1,3-) | 13239-016 | |
| DRUM,GEAR CHANGE (Ref # 1-1,3-) | 13141-040 | |
| DRUM,GEAR CHANGE (Ref # 1-1) | 13141-043 | |
| DISC,CHNG DRUM OPRTNG (Ref # 2) | 13145-003 | |
| PIN,CHANG DRUM (Ref # 3) | 92042-029 | |
| HOLDER,CHANGE DRUM (Ref # 4) | 13142-014 | |
| WASHER LOCK 6MM (Ref # 5) | 464H0600 | |
| SCREW PAN HEAD 6X14 (Ref # 6) | 220B0614 | |
| ROD,SHIFT 93.7M/M (Ref # 7) | 49047-1003 | |
| ROD,SHIFT 71.7M/M (Ref # 8) | 49047-1002 | |
| FORK,SELECTOR,LOW (Ref # 9) | 13140-061 | |
| FORK,SELECTOR,2ND&3RD (Ref # 10) | 13140-062 | |
| FORK,SELECTOR,4TH&TOP (Ref # 11) | 13140-063 | |
| CIRCLIP,DRIVE SHAFT (Ref # 12) | 92033-030 | |
| BEARING,BALL (Ref # 13) | 92046-038 | |
| WASHER,THRUST,15MM (Ref # 14) | 92022-279 | |
| 2ND GEAR,DRIVE SHAFT (Ref # 15) | 13129-1073 | |
| WASHER,LOCK (Ref # 16) | 92024-059 | |
| CIRCLIP,18MM (Ref # 17) | 92033-029 | |
| 4TH GEAR,DRIVE 19T (Ref # 18) | 13134-020 | |
| 3RD GEAR,DRIVE 17T (Ref # 19) | 13132-036 | |
| WASHER (Ref # 20) | 92022-252 | |
| TOP GEAR,DRIVE 20T (Ref # 21) | 13136-048 | |
| SHAFT, DRIVE (Ref # 22) | 13127-049 | |
| WASHER,16.8X32X1.6 (Ref # 23) | 92022-1277 | |
| WASHER,LOCK,16MM (Ref # 24) | 464H1600 | |
| NUT,LOCK,16MM (Ref # 25) | 92015-072 | |
| NUT 18MM (Ref # 26) | 92015-019 | |
| WASHER,LOCK,18MM (Ref # 27) | 92024-067 | |

1975 KX250-A PARTS LIST

TRANSMISSION/CHANGE DRUM (74-76)

| ITEM NAME | PART NUMBER | QUANTITY |
|----------------------------------|-------------|----------|
| ENGINE SPROCKET 13T (Ref # 28) | 13144-055 | |
| ENGINE SPROCKET 14T (Ref # 28) | 13144-056 | |
| COLLAR-ENG SPROKET (Ref # 29) | 92027-163 | |
| "O" RING (Ref # 30) | 92055-035 | |
| SHAFT,OUTPUTSHAFT (Ref # 31) | 13128-041 | |
| 2ND GEAR,OUTPUT 26T (Ref # 32) | 13131-044 | |
| WASHER-PLAIN (Ref # 33) | 92022-198 | |
| 4TH GEAR,OUTPUT 22T (Ref # 34) | 13135-025 | |
| CIRCLIP,25MM (Ref # 35) | 92033-025 | |
| WASHER-LOCK (Ref # 36) | 92024-039 | |
| 3RD,GEAR,OUTPUT 24T (Ref # 37) | 13133-036 | |
| TOP GEAR,OUTPUT 20T (Ref # 38) | 13137-030 | |
| LOW GEAR,OUTPUT 28T (Ref # 39) | 13129-052 | |
| WASHER,PLAIN (Ref # 40) | 92022-280 | |
| WASHER,PLAIN (Ref # 41) | 92022-281 | |
| BEARING-NEEDLE (Ref # 42) | 92046-1184 | |
| CIRCLIP,16MM (Ref # 43) | 92033-032 | |
| IDLE GEAR 28T (Ref # 44) | 13073-012 | |
| WASHER-THRUST (Ref # 45) | 92022-197 | |
| BALL BEARING,#6203ZC3 (Ref # 46) | 601B6203Z | |
| CIRCLIP,16MM (Ref # 47) | 92033-032 | |
| BUSHING (Ref # 48) | 92028-146 | |