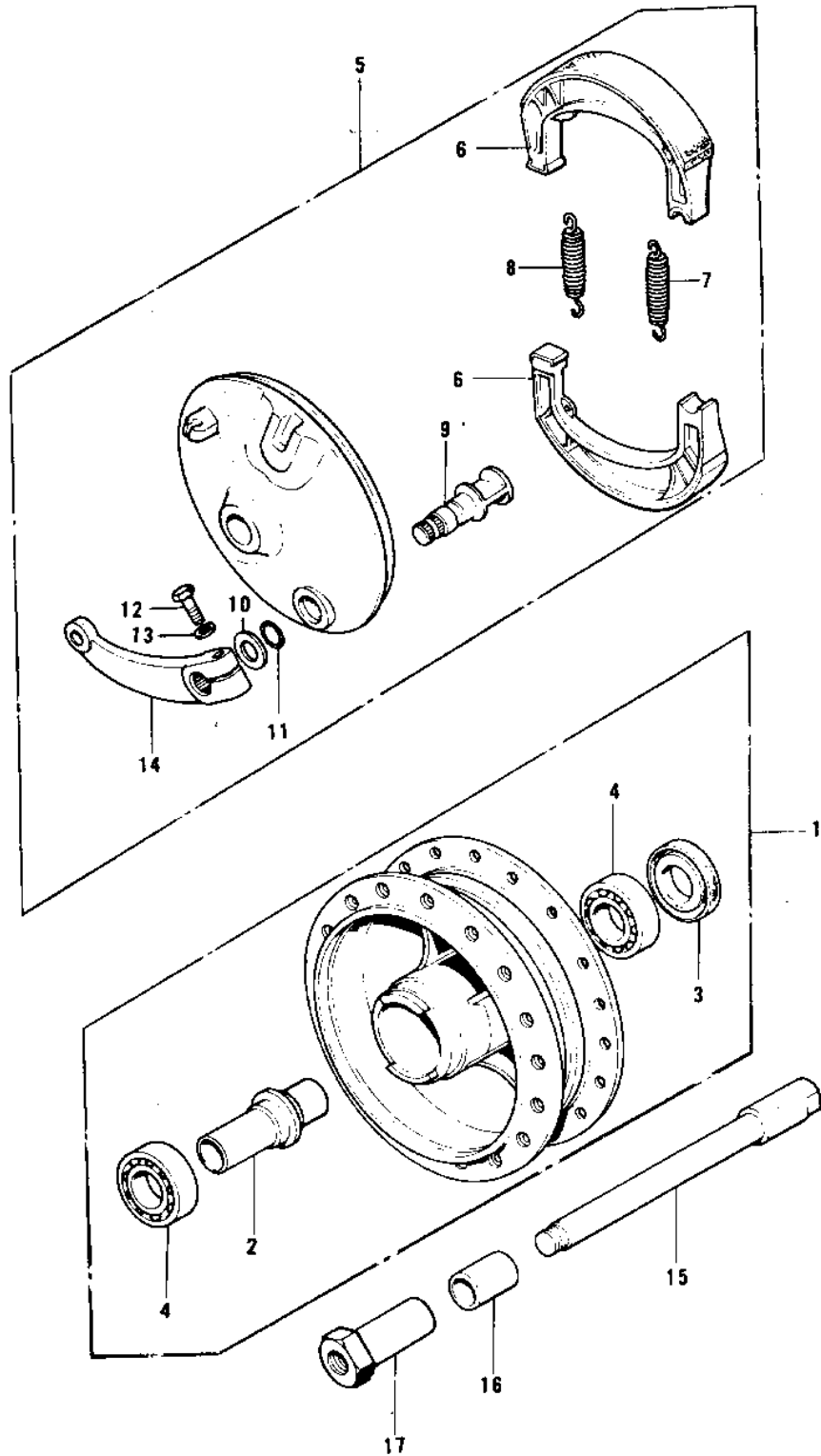


1975 KX250-A PARTS DIAGRAM

FRONT HUB/BRAKE (KX250)



1975 KX250-A PARTS LIST

FRONT HUB/BRAKE (KX250)

ITEM NAME	PART NUMBER	QUANTITY
DRUM-ASSY,FR BRK (Ref # 1)	41034-036	
COLLAR (Ref # 2)	41039-023	
OIL SEAL,TB18376 (Ref # 3)	654A18376	
BEARING,BALL, #6201 (Ref # 4)	92045-029	
PANEL ASSY,FRNT BRAKE (Ref # 5)	41035-061	
PANEL-ASY,FR BRK BLK (Ref # 5)	41035-063-21	
SHOE,BRAKE (Ref # 6)	42019-010	
SHOE,BRAKE (Ref # 6)	42019-010	
SPRING,BRAKE SHOE (Ref # 7)	92081-1766	
SPRING-BRAKE SHOE (Ref # 8)	42020-004	
CAM SHAFT,FRONT BRAKE (Ref # 9)	41050-020	
WASHER (Ref # 10)	92022-257	
"O" RING,12MM (Ref # 11)	670B2012	
BOLT 6X22 (Ref # 12)	112B0622	
BOLT 6X22 (Ref # 12)	112B0622	
WASHER PLAIN 6MM (Ref # 13)	410B0600	
LEVER,FRONT BRAKE CAM (Ref # 14)	41053-021	
AXLE,FRONT (Ref # 15)	41068-044	
AXLE,FRONT (Ref # 15)	41068-044	
COLLAR,FRONT AXLE (Ref # 16)	41069-023	
NUT,FRONT AXLE (Ref # 17)	41072-008	