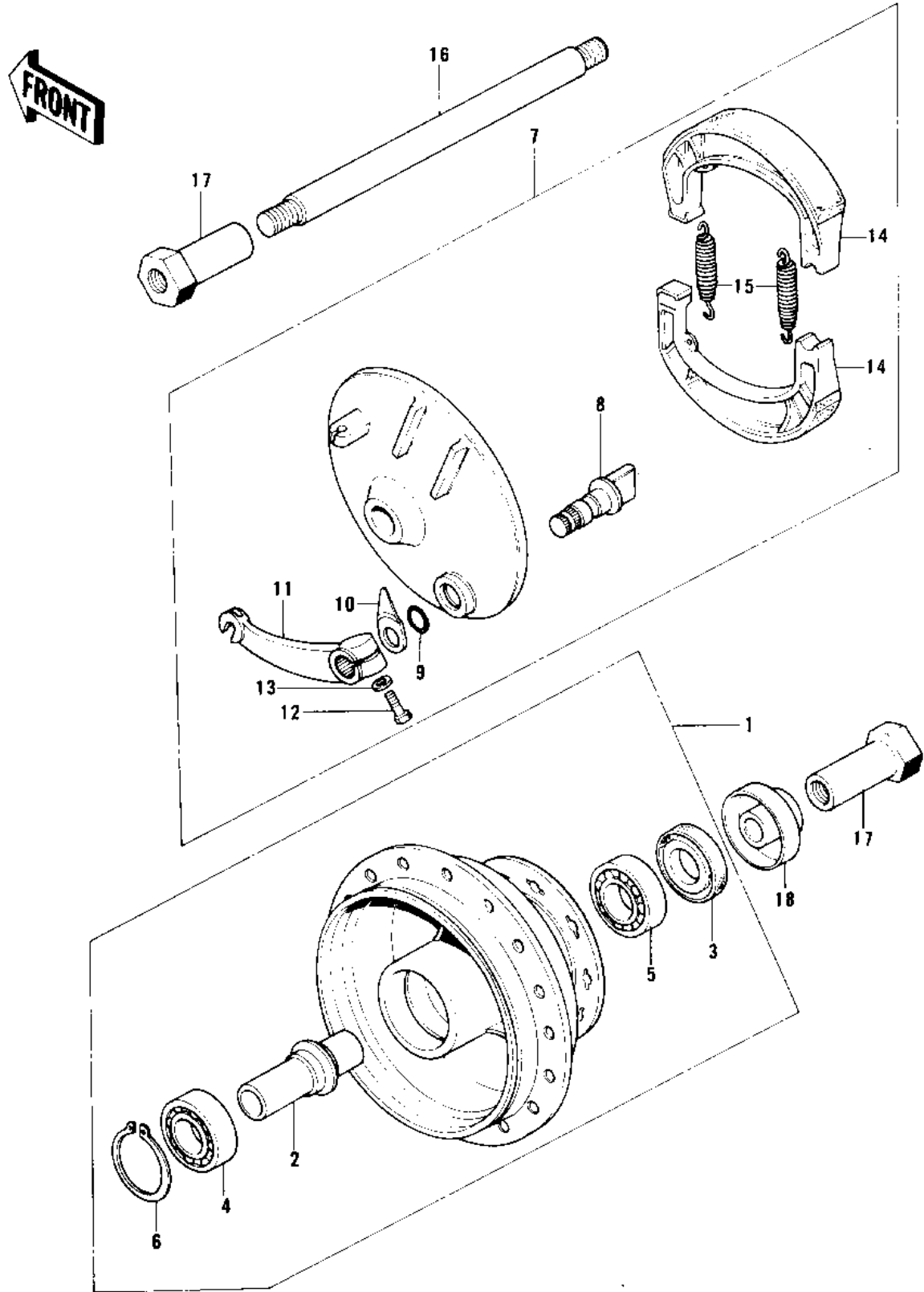


# 1974 KX250 PARTS DIAGRAM

FRONT HUB/BRAKE (KX250-A/A3)



# 1974 KX250 PARTS LIST

## FRONT HUB/BRAKE (KX250-A/A3)

| ITEM NAME                        | PART NUMBER  | QUANTITY |
|----------------------------------|--------------|----------|
| DRUM-ASSY,FR BRK,F.BK (Ref # 1)  | 41034-039-21 | 1        |
| COLLAR,FR BRK DRUM (Ref # 2)     | 41039-027    | 1        |
| OIL SEAL,#22427 (Ref # 3)        | 654A224207   | 1        |
| BEARING,FRONT DRUM (Ref # 4)     | 92045-033    | 1        |
| BEARING BALL #6302 (Ref # 5)     | 601B6302     | 1        |
| CIRCLIP,42MM (Ref # 6)           | 92033-1041   | 1        |
| PANEL-ASY,FR BRK BLK (Ref # 7)   | 41035-065-21 | 1        |
| CAM SHAFT,REAR BRAKE (Ref # 8)   | 42026-021    | 1        |
| DUST SHIELD BRAKE CAM (Ref # 9)  | 41051-001    | 1        |
| INDICATOR,FR BRK SHOE (Ref # 10) | 41085-017    | 1        |
| LEVER,FRONT BRAKE CAM (Ref # 11) | 41053-023    | 1        |
| BOLT-UPSET (Ref # 12)            | 112G0625     | 1        |
| WASHER PLAIN 6MM (Ref # 13)      | 410B0600     | 1        |
| SHOE-BRAKE (Ref # 14)            | 41048-1068   | 2        |
| SPRING-BRAKE SHOE (Ref # 15)     | 42020-004    | 2        |
| AXLE,FRONT (Ref # 16)            | 41068-048    | 1        |
| COLLAR,FRONT AXLE (Ref # 17)     | 41069-031    | 2        |
| COLLAR,FRONT AXLE (Ref # 18)     | 41069-030    | 1        |