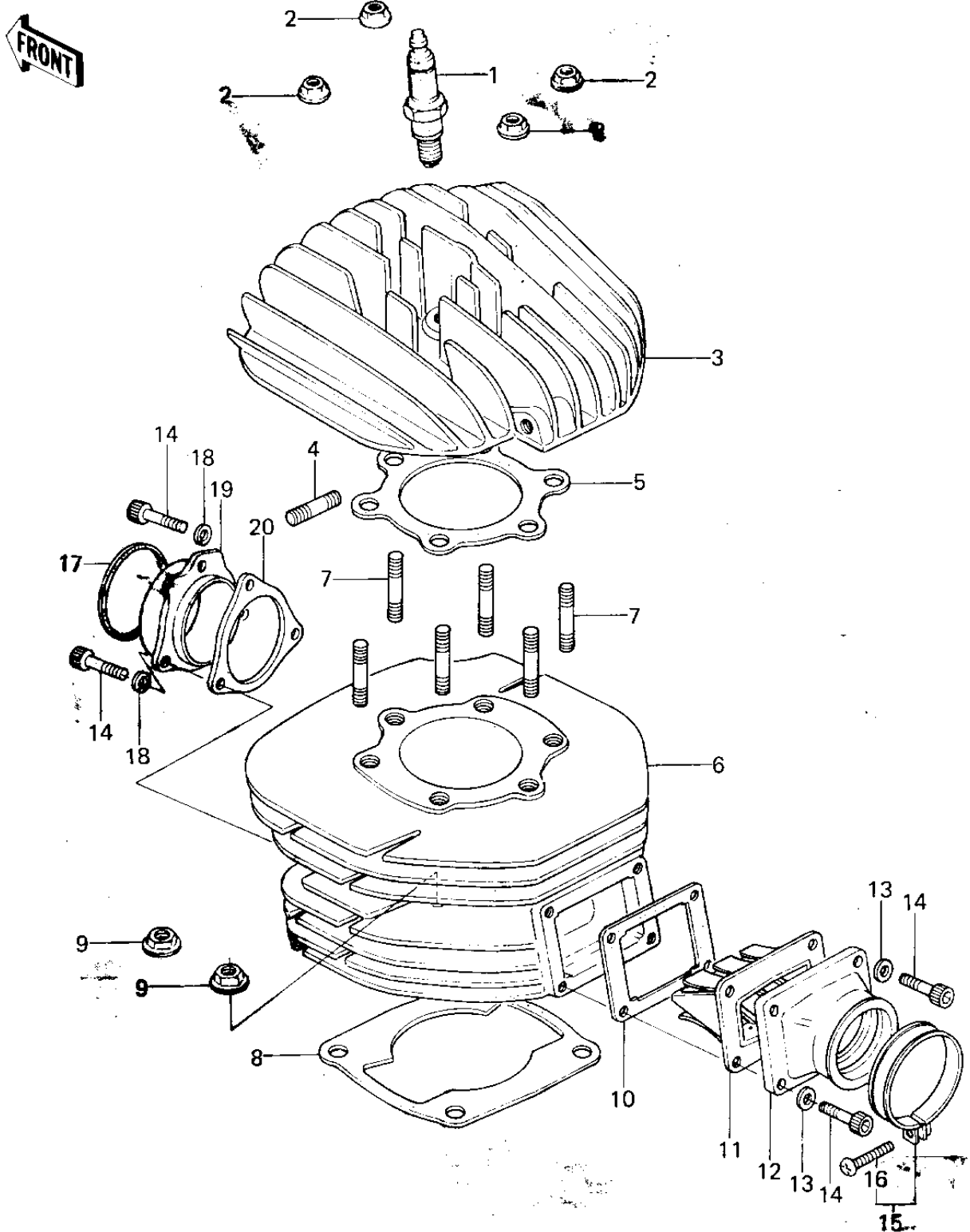


# 1979 KX250-A5 PARTS DIAGRAM

CYLINDER HEAD/CYLINDER/REED VALVE (78-79)



# 1979 KX250-A5 PARTS LIST

CYLINDER HEAD/CYLINDER/REED VALVE (78-79)

ITEM NAME	PART NUMBER	QUANTITY
SPARK PLUG B9EV (Ref # 1)	B9EV	
SPARK PLUG BR9EV (Ref # 1)	92070-3002	
NUT,8M/M (Ref # 2)	92015-1014	
CYLINDER HEAD,F BLACK (Ref # 3)	11001-1031	
STUD,10X18 (Ref # 4)	172G1018	
GASKET,CYL HEAD (Ref # 5)	11004-1012	
CYLINDER,ELECTRO-FUSE (Ref # 6)	11005-1034	
CYLINDER,ELECTRO-FUSE (Ref # 6)	11005-1034	
STUD 8X40 (Ref # 7)	172G0840	
GASKET,CYLINDER BASE (Ref # 8)	11009-038	
NUT,10M/M (Ref # 9)	92015-1021	
GASKET,REED VALVE (Ref # 10)	11009-1018	
VALVE ASSY,REED (Ref # 11)	12021-1001	
VALVE ASSY,REED (Ref # 11)	12021-1007	
HOLDER,CARBURETOR (Ref # 12)	16065-1005	
WASHER PLAIN 6MM (Ref # 13)	410B0600	
BOLT,SOCKET,6X25,BLAC (Ref # 14)	120S0625	
CLAMP,CARBURETOR HLDR (Ref # 15)	92037-116	
SCREW-PAN-CROS (Ref # 16)	220B0535	
UNAVAILABLE IN PRICE BOOK (Ref # 17)		
GASKET,EXHAUST HOLDER (Ref # 17)	11009-1123	
WASHER SPRING 6MM (Ref # 18)	461F0600	
HOLDER,EXHAUST PIPE (Ref # 19)	18069-1001	
GASKET,EXHAUST PIPE (Ref # 20)	11009-1017	