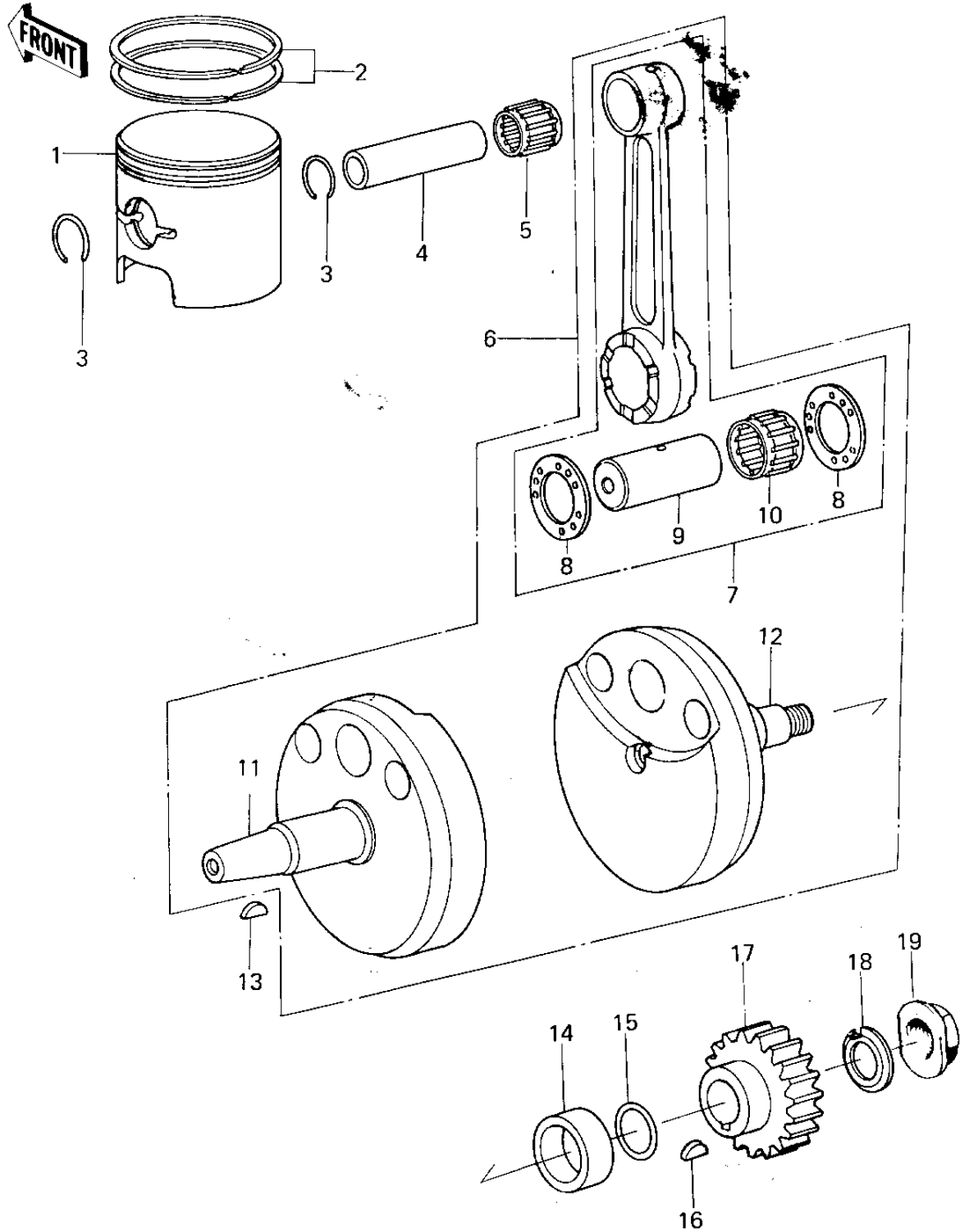


1978 KX250-A4 PARTS DIAGRAM

CRANKSHAFT/PISTON (78-79)



1978 KX250-A4 PARTS LIST

CRANKSHAFT/PISTON (78-79)

ITEM NAME	PART NUMBER	QUANTITY
PISTON,STD (Ref # 1)	13001-1004	1
RING SET,STD (Ref # 2)	13008-5008	1
CIRCLIP-PISTON PIN (Ref # 3)	92036-015	2
PIN-PISTON (Ref # 4)	13002-017	1
BEARING-SMALL END (Ref # 5)	13033-1010	1
CRANK & CONROD ASSY (Ref # 6)	13031-1004	1
CRANSHAFT ASSY (Ref # 6)	13031-1020	1
CONNECTING ROD SET (Ref # 7)	13044-5007	1
SPACER (Ref # 8)	92026-1241	2
PIN,CRANK (Ref # 9)	13035-034	1
BEARING,BIG END NEEDL (Ref # 10)	13034-049	1
CRANKSHAFT,L.H (Ref # 11)	13037-070	1
CRANKSHAFT,L.H (Ref # 11)	13037-1027	1
CRANKSHAFT,R.H (Ref # 12)	13038-058	1
CRANKSHAFT,R.H (Ref # 12)	13037-1028	1
WOODRUFF KEY (Ref # 13)	92038-001	1
COLLAR,CRANKSHAFT (Ref # 14)	92027-212	1
"O" RING,20MM (Ref # 15)	670B2020	1
WOODRUFF KEY (Ref # 16)	510A5100	1
GEAR,PRIMARY 22T (Ref # 17)	13121-029	1
WASHER,LOCK (Ref # 18)	92024-061	1
NUT,CRANKSHAFT (Ref # 19)	92015-069	1